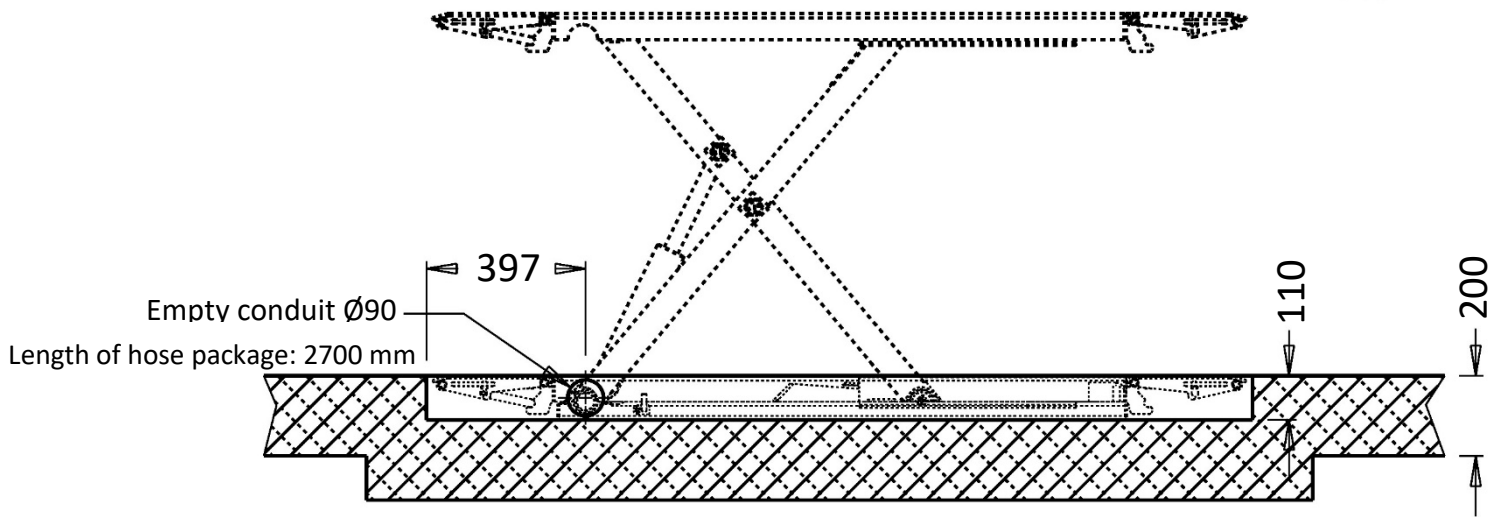


Foot protection bars removed
Handles on ramps cut



Stand: 28.09.2021

Foundation plan
Scissor lift TWS35-10E
Recessed installation

Page 1 of 1

Twin Busch GmbH
Amperestr. 1
D-64625 Bensheim