



CAR TURNTABLE
TWCTT-450
(Lifting capacity: 3000 kg)

TWCTT-450

INSTALLATION, OPERATION AND MAINTENANCE MANUAL



*Read these operating instructions carefully
before putting the car turntable into operation!
Follow the instructions carefully.*

Table of contents

1. General information	1
2. Identification of the instructions for use	1
3. Technical data	1
4. Modification of the product	1
5. Safety-related information	2
5.1 Safety instructions	2
5.2 Warnings and symbols	3
6. Conformity with the product	4
7. Technical specification	4
7.1 Machine description	4
8. Structure of the car turntable	5
8.1 Before installation	5
8.2 Soil conditions	5
8.3 Assembly instructions	6
9. Description of the control unit (control box)	15
9.1 Carry out the following test after wiring:	15
10. Troubleshooting	16
11. Maintenance	16
11.1 Daily inspection and maintenance before use	16
12. Behaviour in the event of an incident	16
13. Appendix	17
13.1 Turntable dimensions	17
13.2 Foundation requirements and working area	18

Further attachment:

- **EU Declaration of Conformity**

Important information:

ASSEMBLY



You can find the assembly video for this car turntable on YouTube:

<https://youtu.be/mP1qRmiQaU>

or scan the QR code.



PRODUCT PRESENTATION



You can find the product presentation video for this lift on YouTube:

<https://youtu.be/f-v5GI5oVk>

or scan the QR code.





TIPS & TRICKS



In the "Tips & Tricks" section we show you simple solutions to work even more efficiently with your TWIN BUSCH® products.

<https://www.twinbusch.co.uk/2-post-lifts/2-post-lift-3-6-t-Profi-Line::4.html#horizontalTab4>

24/7 Service Center:



Our **24/7 Self-Service Center** is a mobile website designed for self-diagnosis of issues with your Twin Busch lift. Here, we provide an extensive video collection covering a wide range of relevant topics for your Twin Busch lift, from fine-tuning and maintenance to component replacement.

With the **24/7 Self-Service Center**, you have a versatile tool at your disposal to learn how to independently maintain and repair your Twin Busch lift.

To access the site on your mobile device, please visit [twinbusch.com/qr](https://www.twinbusch.com/qr) or scan the QR code provided alongside.

For Twin Busch lifts shipped from mid-2020 onwards, you'll also find the QR code on a sticker attached to the control box.

1. General information

The **TWCTT-450** car turntable is ideal for presenting vehicles in demonstration areas. The turntable is also suitable for positioning vehicles in narrow driveways and confined spaces in car parks.

The turntable can be installed above or below ground. It is driven by 4 electric motors. The rollers run smoothly and require little maintenance. The rotation speed can be infinitely adjusted from 0.2 - 2 revolutions per minute. Thanks to the hot-dip galvanised components, the turntable is weatherproof and can also be used outdoors with appropriate care, a water drain and increased maintenance intervals.

2. Identification of the instructions for use

Operating instructions **TWCTT-450**

of Twin Busch GmbH,
Ampèrestrasse 1,
D-64625 Bensheim

Phone: +49 6251-70585-0
Telefax: +49 6251-70585-29
Internet: www.twinbusch.de
Email: info@twinbusch.de

Twin Busch UK Ltd.
9, Linnell Way
Telford Way Industrial Estate
NN16 8PS, Kettering (Northants)

Phone: +44 (0) 1536 522 960
Internet: www.twinbusch.co.uk
Email: info@twinbusch.co.uk

Status: -00, 28.05.24

File: TWCTT-450_Car_Turntable_Manual_uk_00_20240528.pdf

3. Technical data

Power supply	400 V / 50 Hz
Protection	16A (C/sluggish)
Load capacity CE	3,000 kg
Motor power	4 x 0.75 kW
Degree of protection	IP 54
Rotation angle	360° in both directions
Operation	Rotary switch / 2x remote control
Net weight	1,500 kg
Working environment	Working temperature: -15°C to +40°C
	rel. Humidity: 30 % to 85 %

4. Modification of the product

Improper use, as well as modifications, conversions and attachments of the product and all its components that have not been agreed with the manufacturer are not permitted. The manufacturer will not accept any liability in the event of improper installation, operation or overloading. Likewise, improper use will invalidate the CE certification and the validity of the documentation.

If there are any modification requests, please contact your dealer or the expert personnel of the Twin Busch GmbH beforehand.

5. Safety-related information

Read the operating instructions carefully before operating the turntable. Keep the instructions in a safe place for future reference. Follow the instructions carefully to achieve the best performance from the machine and to avoid damage due to personal negligence.

Check all connections and components thoroughly for damage. The turntable may only be put into operation if it is in a safe operating condition.

5.1 Safety instructions

- Install the turntable on a flat surface.
- Read and understand the safety instructions before operating the product.
- Keep hands and feet away from moving parts. Pay particular attention to the risk of crushing when turning the appliance.
- The turntable may only be operated by trained personnel.
- Uninvolved persons are not allowed near the turntable.
- The area around the turntable should always be kept free of obstruction objects.
- Always ensure that all safety precautions have been taken before operating the turntable.
- Do not under any circumstances move the vehicle on or off the turntable while it is in motion.
- Always check the mobility of the turntable to guarantee its performance. Ensure regular maintenance. If an irregularity occurs, stop operation immediately and contact your dealer.
- Switch off the power supply completely when it is not in use.
- Protect live components from moisture.

5.2 Warnings and symbols

Please read the warnings carefully and memorise their meaning for future use.



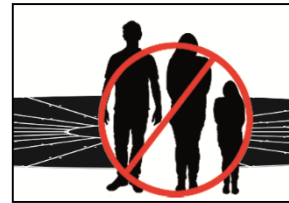
Read the safety Instructions carefully before use!



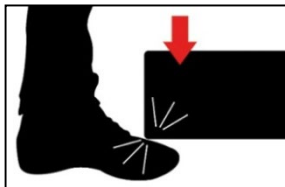
The turntable may only be operated by qualified personnel!



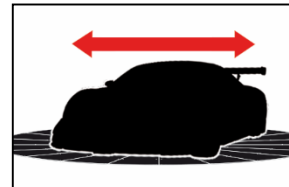
Repairs and maintenance only by qualified personnel, never disable safety devices!



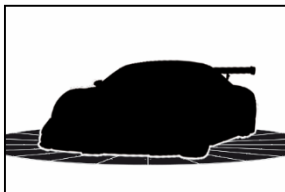
Specialist staff only permitted in the vicinity of the turntable!



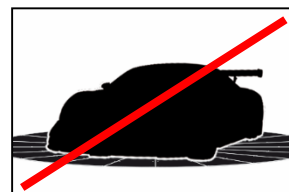
Watch your feet!
Danger of crushing!



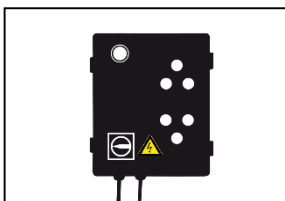
Do not move the vehicle while the turntable is in motion.



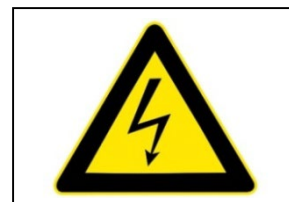
Use only on level floor!



Damaged turntable must not be put into operation!



Switch off the power supply when the turntable is not in use.



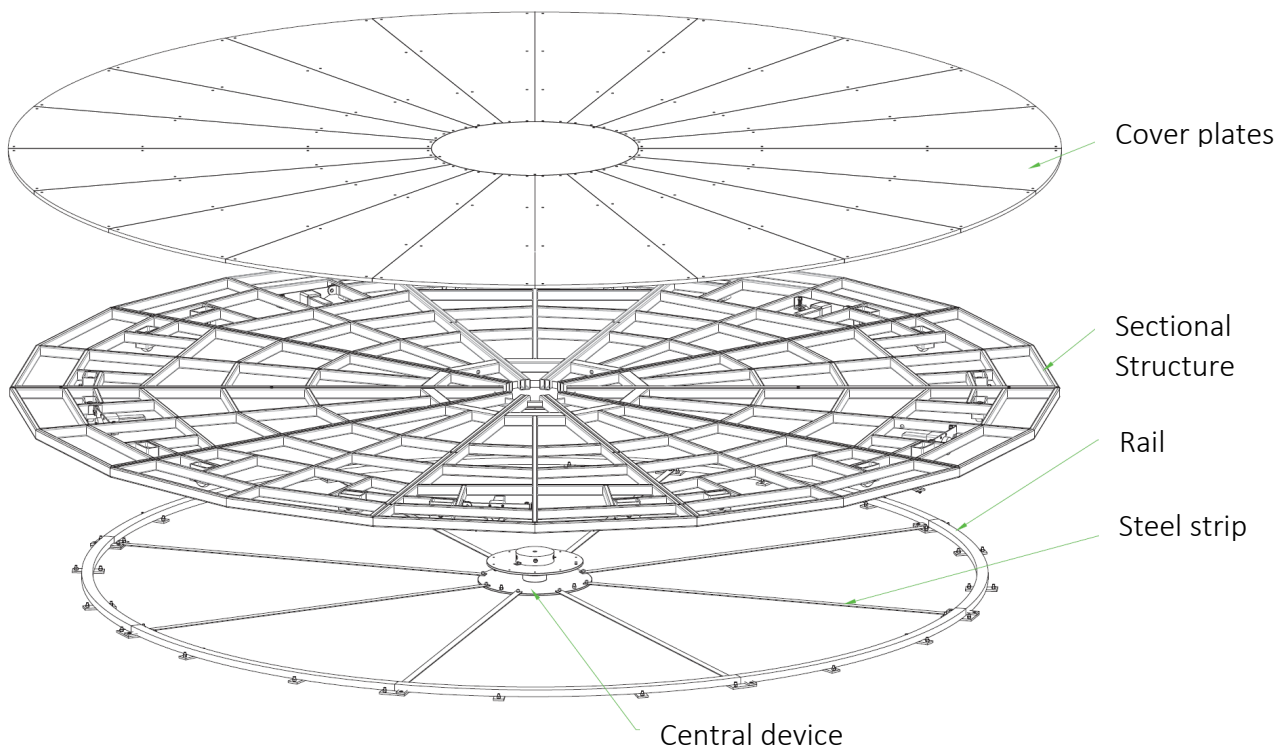
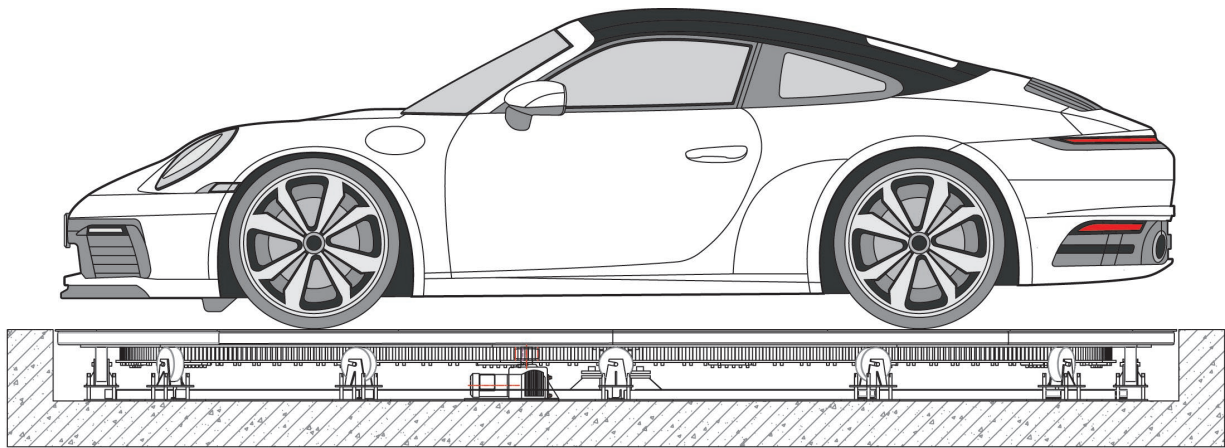
CAUTION!
Electrical voltage! Protect live components from moisture.

6. Conformity with the product

The TWCTT-450 car turntable is CE-certified and complies with the Machinery Directive 2006/42/EC and fulfils the standards EN 14010:2003, EN 60204-1:2018 (see under: EU Declaration of Conformity, at the end of these instructions).

7. Technical specification

7.1 Machine description



8. Structure of the car turntable

8.1 Before installation

Tools and equipment required:

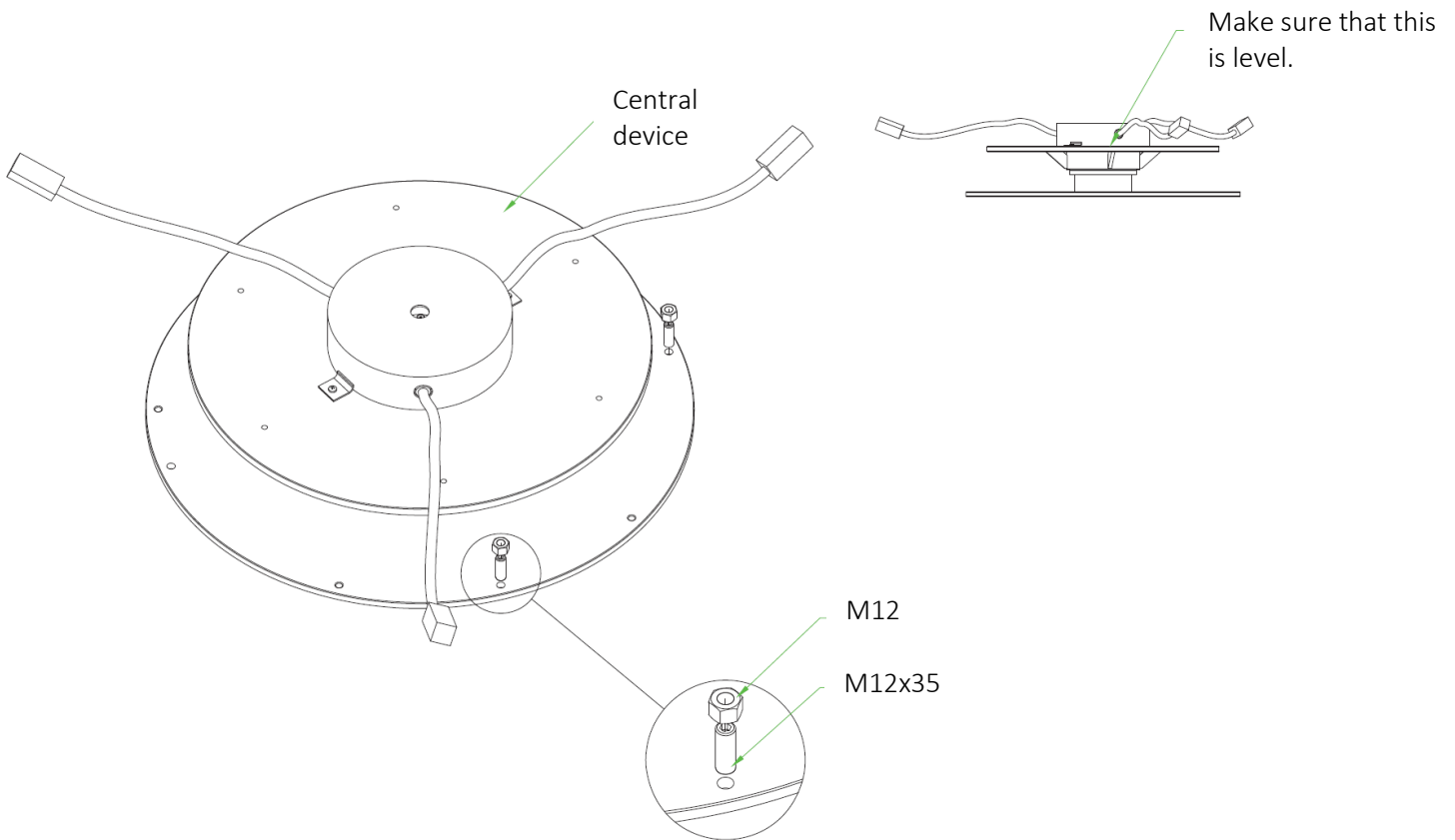
- Suitable lifting tool for bulky and heavy components
- Hammer
- Allen key
- Adjustable spanner
- Crowbar
- Chalk or coloured pencils
- Screwdriver
- Adhesive tape (approx. 5 m)
- Pointed pliers

8.2 Soil conditions

The turntable must be installed on a solid foundation with a flatness of less than 5 mm. Detailed information can also be found in the corresponding foundation plan on our homepage at www.twinbusch.co.uk.

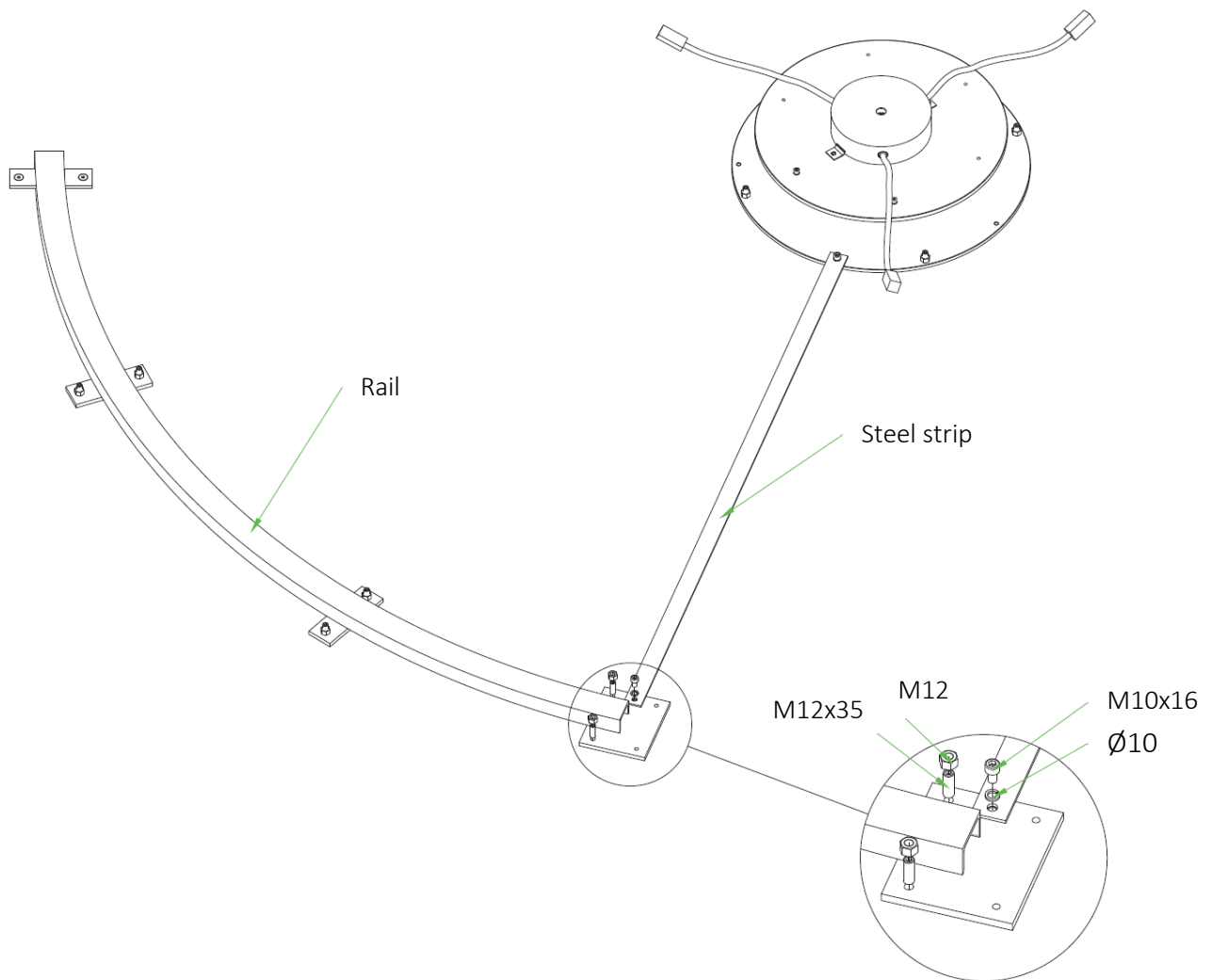
8.3 Assembly instructions

- 1) Attachment of the central device and cabling.
 - a) Determine the centre point at the installation site to position the central device.
 - b) Grease the axle well and ensure that the axle is fully engaged.
 - c) Now carry out the cabling.
 - d) The central device is attached to the floor with the heavy-duty anchors.



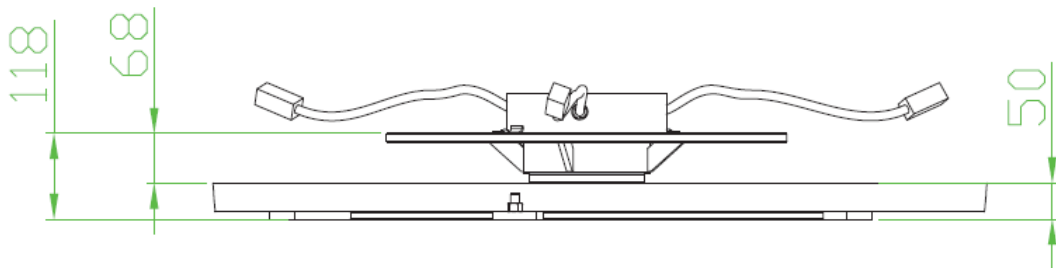
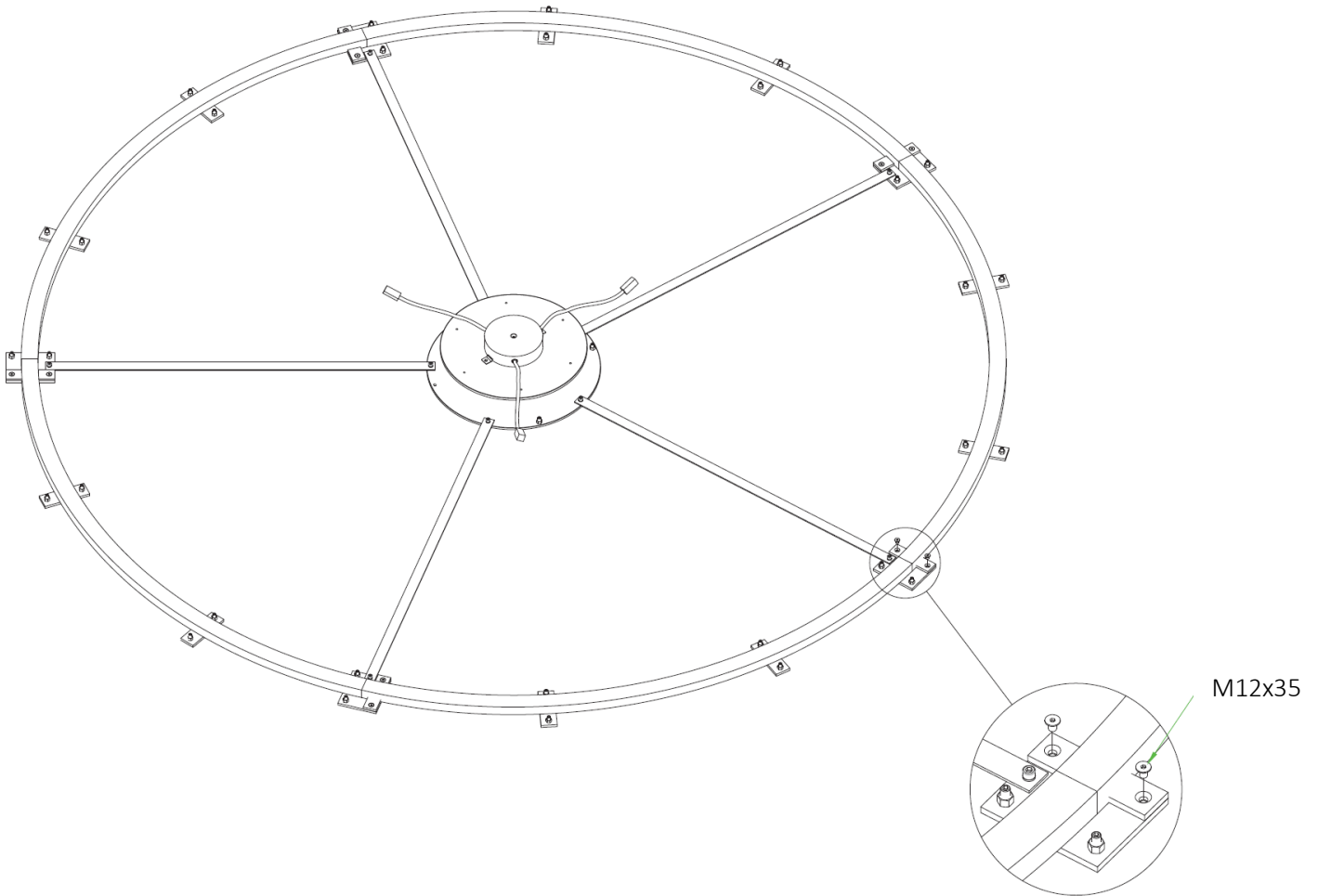
2) Structure of the carriageway rails.

- a) Lay out the rails roughly around the central device. Use a support section to determine the distance to the support plate.
- b) Connect 1# rail and steel strip, the height of the rail is 50 mm. Fix the rail to the floor with the bolts and make sure it is level.



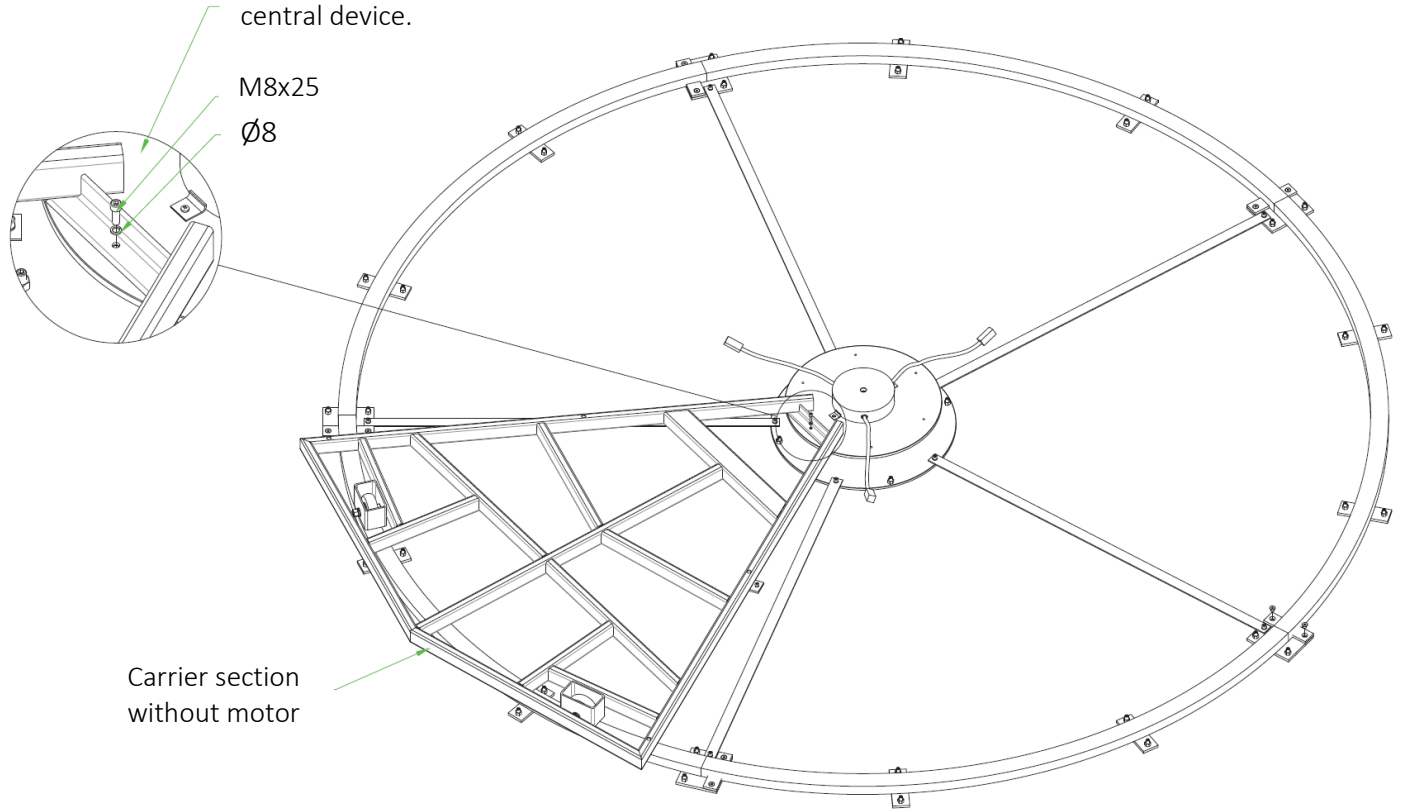
3) Adjustment of the rails.

- a) Connect the 1-5# rails and the steel band anti-clockwise, straighten the rails by adjusting the bolts, each bolt point should be tight.



4) Connect **1# carrier part without motor** to the plate.

The number marked on Sectional structures should match with the numbers on central device.



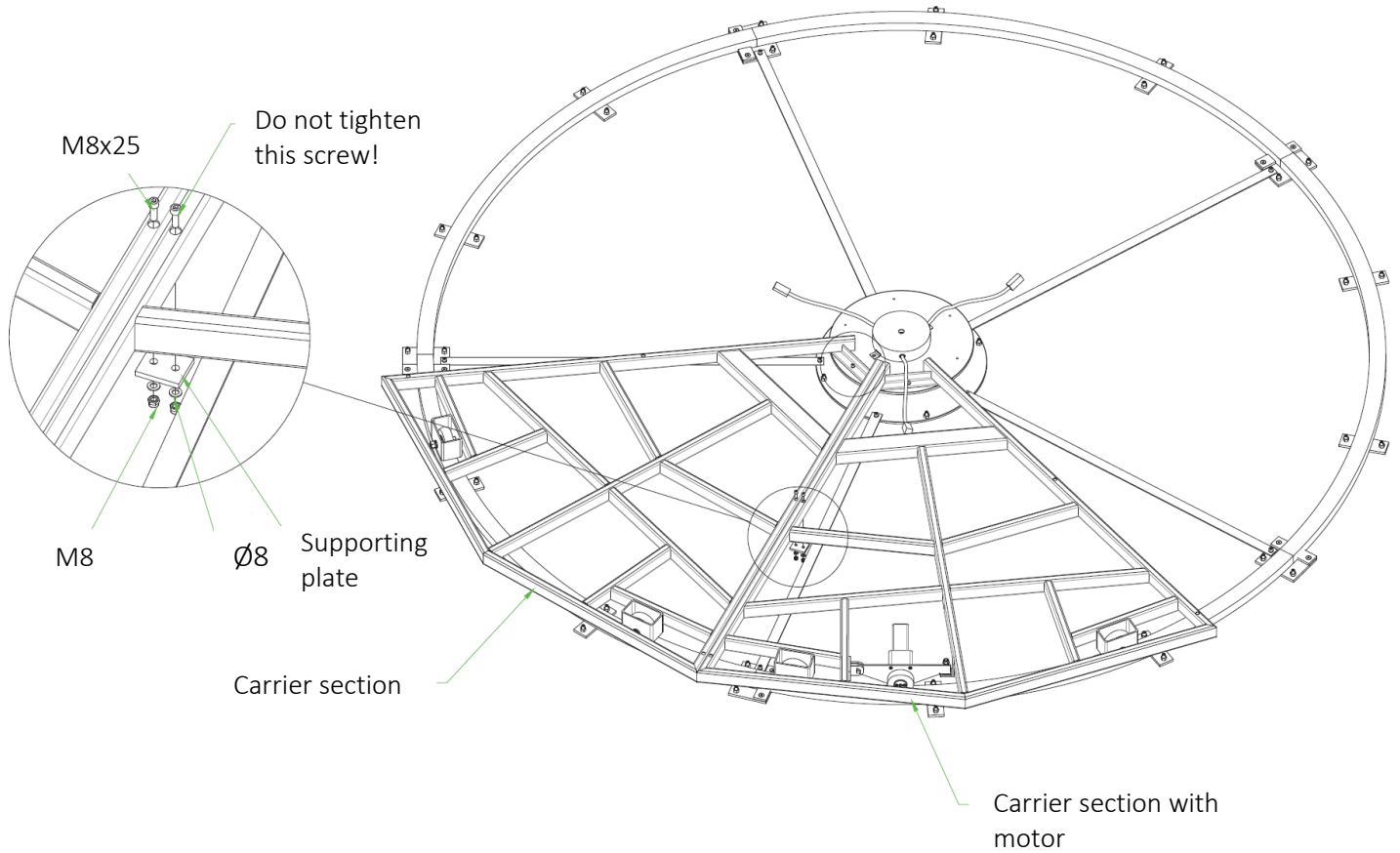
Carrier section without motor

M8x25
Ø8

Caution: Do not tighten the screws temporarily. You can use the inserted support section to check the fit of the rails. If the rails are uneven, you should shim them.

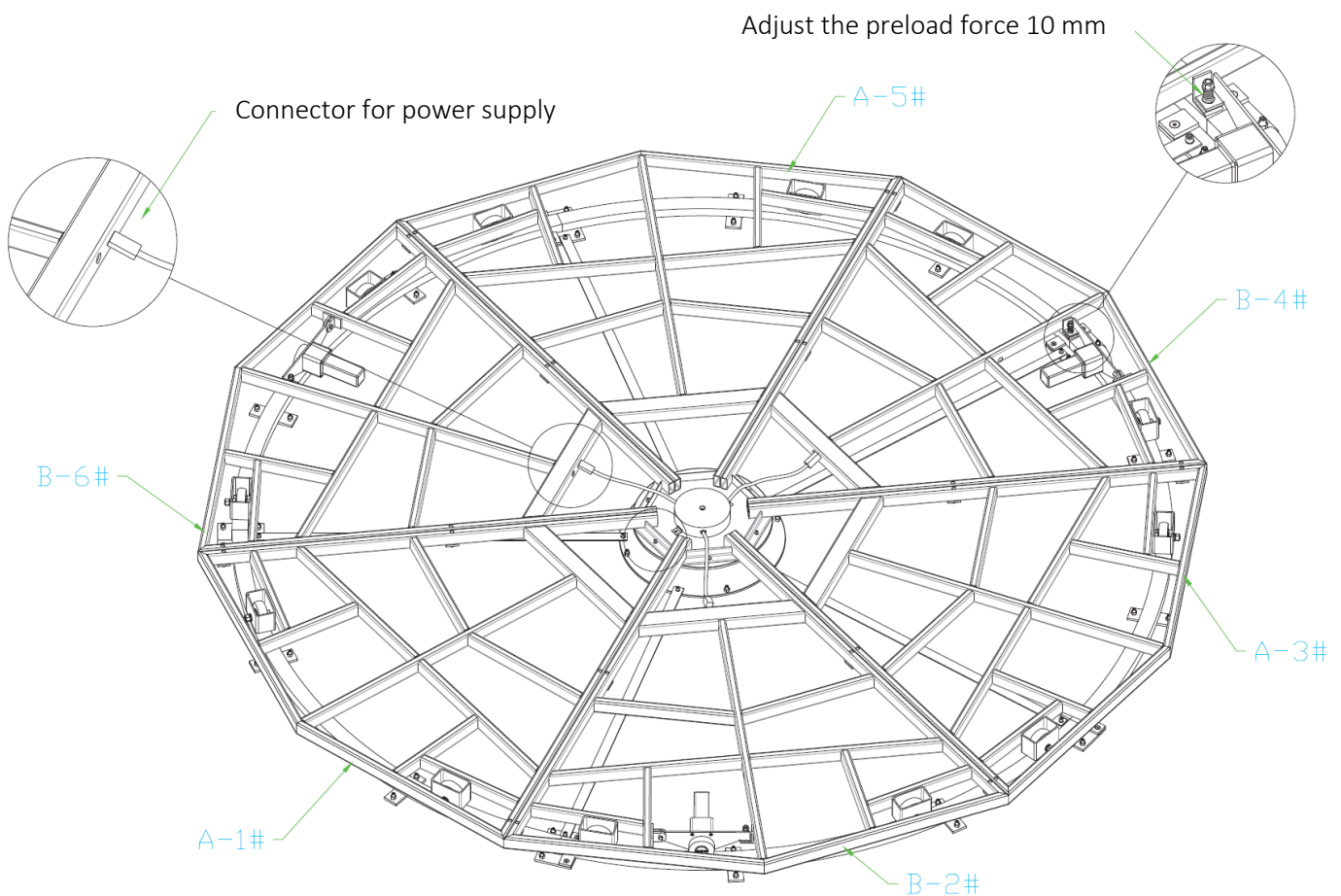
5) Connect 2# carrier part with motor.

a) Connect the 2# cross-section structure in an anti-clockwise direction.

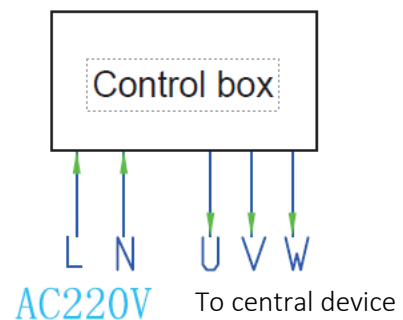


6) Assembly of substructures, connection of connecting pieces, adjustment of spring preload force

- a) Always screw the support parts (with and without motor) alternately.
- b) Tighten the screws and adjust the preload force of the spring.
- c) The 220 V main power supply is connected to L/N, the U/V/W output to the central device with the same line number.
- d) Test the turntable to ensure that everything is in order. Check whether the motor wiring is secure and whether the cable connections are twisted or knotted.



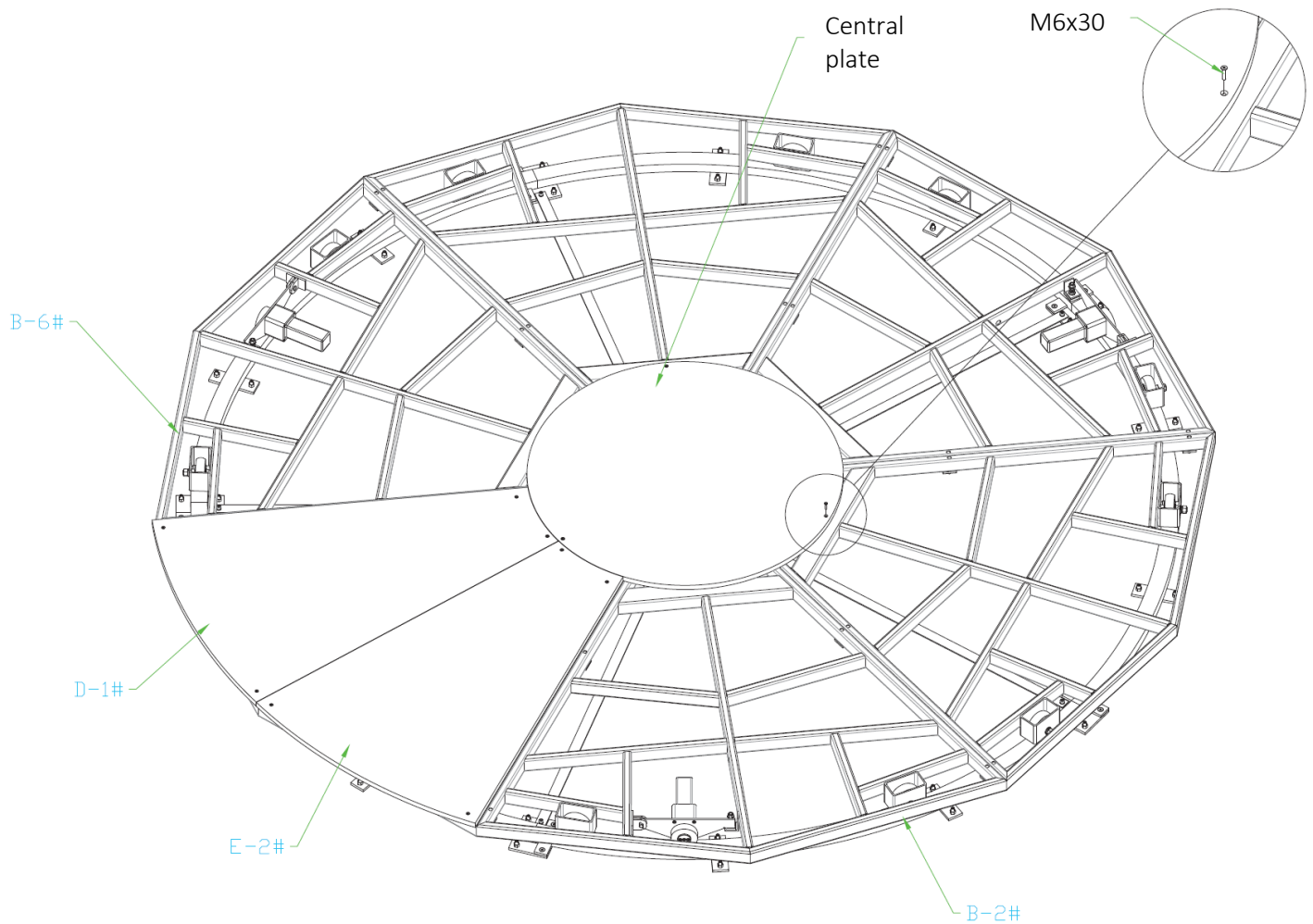
A#: Carrier section with motor
 B#: Carrier section with motor



7) Assembly of the panelling.

- a) Start with the panelling in the centre.
- b) This is followed by an edge plate on the right and left. (These lie on an axis and align the central plate).

Note: Please note that the cover plates have different hole spacings to the edge of the plate.



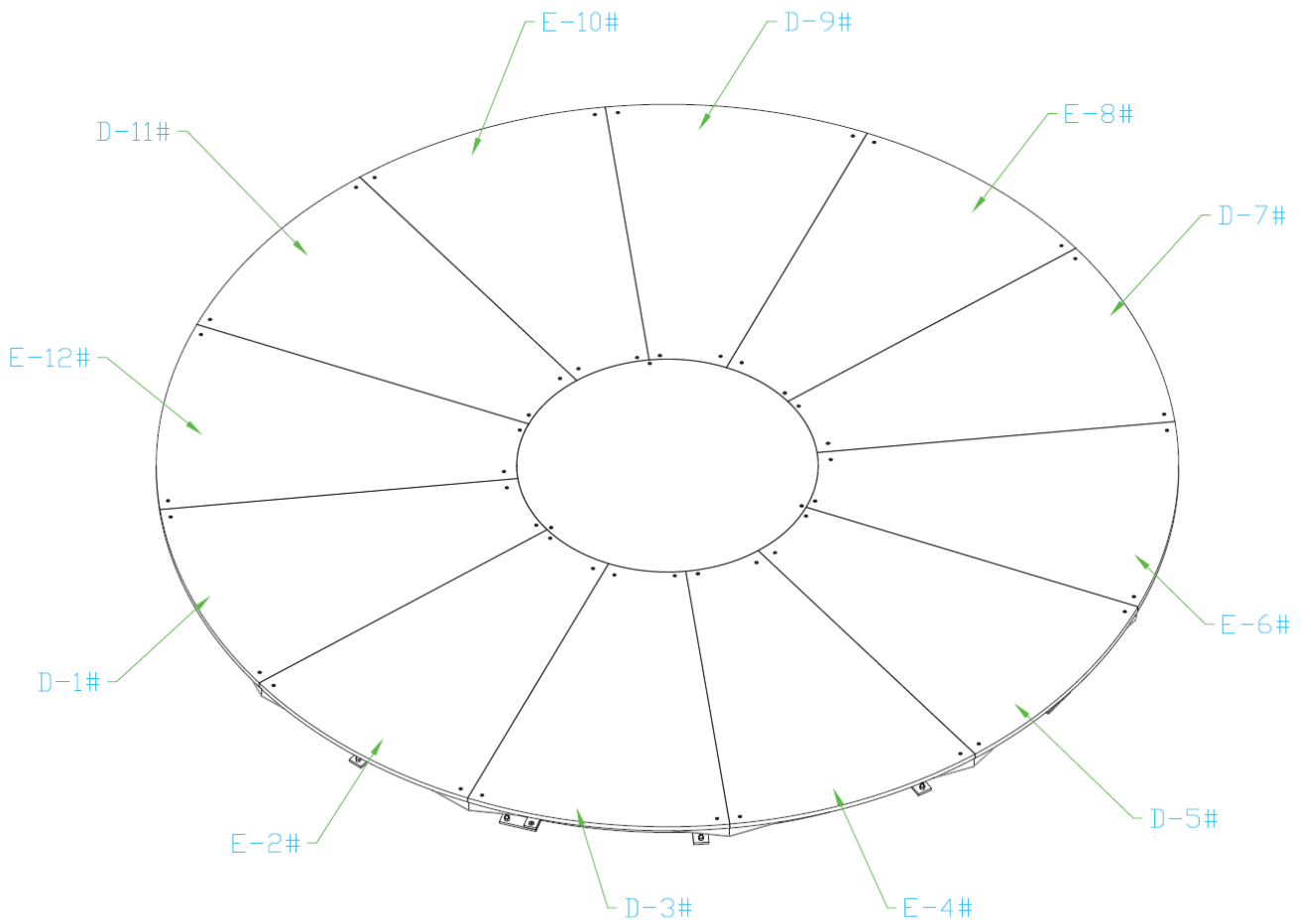
B#: Carrier plate with motor

D#: Cover plate 1

E#: Cover plate 2

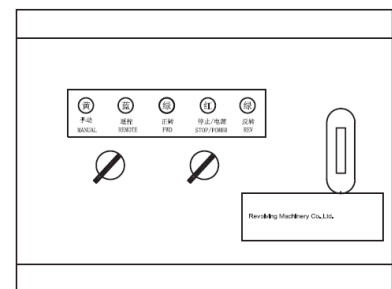
8) Installation of the remaining panelling, connection of the main power supply.

- a) Fit all remaining cover plates.
- b) Connect the control unit to the power supply.



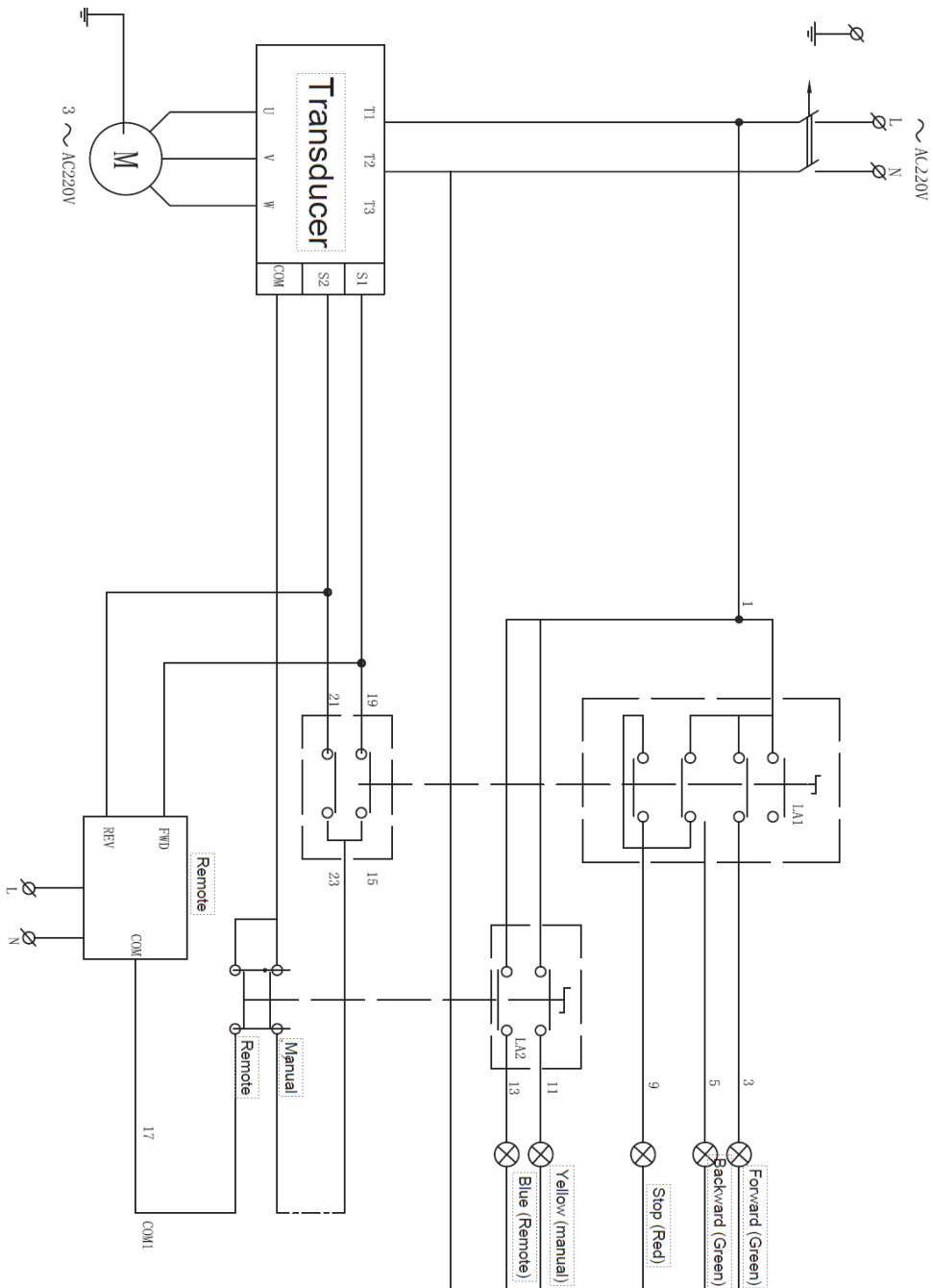
D#: Cover plate 1

E#: Cover plate 2



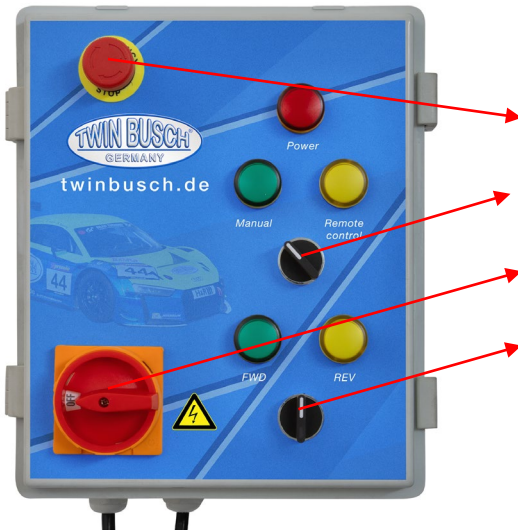
Control box

9) Electrical diagram



S/N	Specification of the transducer
1	Frequency (as with the motor)
2	Upper frequency limit (as with the motor)
3	Lower frequency limit 5HZ
4	Noise level: 12
5	Overload current setting (as for the motor)
6	Acceleration time 5s
7	Time to reduce the speed 5s

9. Description of the control unit (control box)



Description	Function
Emergency stop switch	Switches the system off in an emergency
Control unit 1	Switch to manual or radio control
Main switch	Switch on or off
Control unit 2	With manual control: Move the turntable forwards and backwards

Note: With manual control, the green elements light up; with remote control, the yellow elements light up.

9.1 Carry out the following test after wiring:

1. Carry out a test run to check that the system is installed correctly and that it is working normally.
2. Check whether the appliance rotates forwards and backwards normally and whether the running speed is stable. First set the device to manual operation, forwards and reverse and experiment. After normal operation, switch the electrical control box to remote control. Check that the appliance operates normally with the remote control.

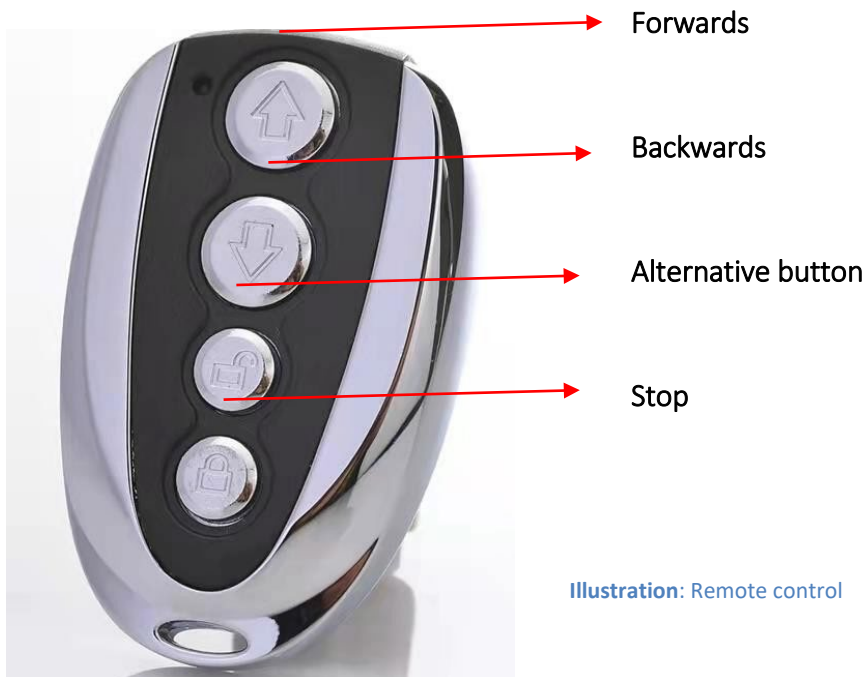


Illustration: Remote control

10. Troubleshooting

Attention: Do not hesitate to contact the expert staff at Twin Busch GmbH if you are unable to rectify a fault yourself. We will be happy to assist you in rectifying the problem. In this case, document the error and send us pictures and a precise description of the error so that we can identify and remedy the cause as quickly as possible.

11. Maintenance

Regular maintenance of your turntable will ensure a long and safe service life. How often you maintain your turntable depends on the ambient conditions, the degree of soiling and, of course, the stress and load.

11.1 Daily inspection and maintenance before use

A daily check of the safety-relevant components must be carried out before each commissioning! This can save you a lot of time due to failure, major damage or even injuries.

- Check all connections and screw connections for tightness.
- Perform a test run (without vehicle) to check whether the turntable is working properly.
- Clean heavily soiled elements.

If you follow the above maintenance intervals and maintenance activities, your turntable will remain in good condition and damage and accidents will continue to be avoided.

11.2 In commercial operations

In commercial operations, it is recommended that a regular inspection is carried out in accordance with DGUV V3.

12. Behaviour in the event of an incident

If the turntable malfunctions, simple faults may be the cause.

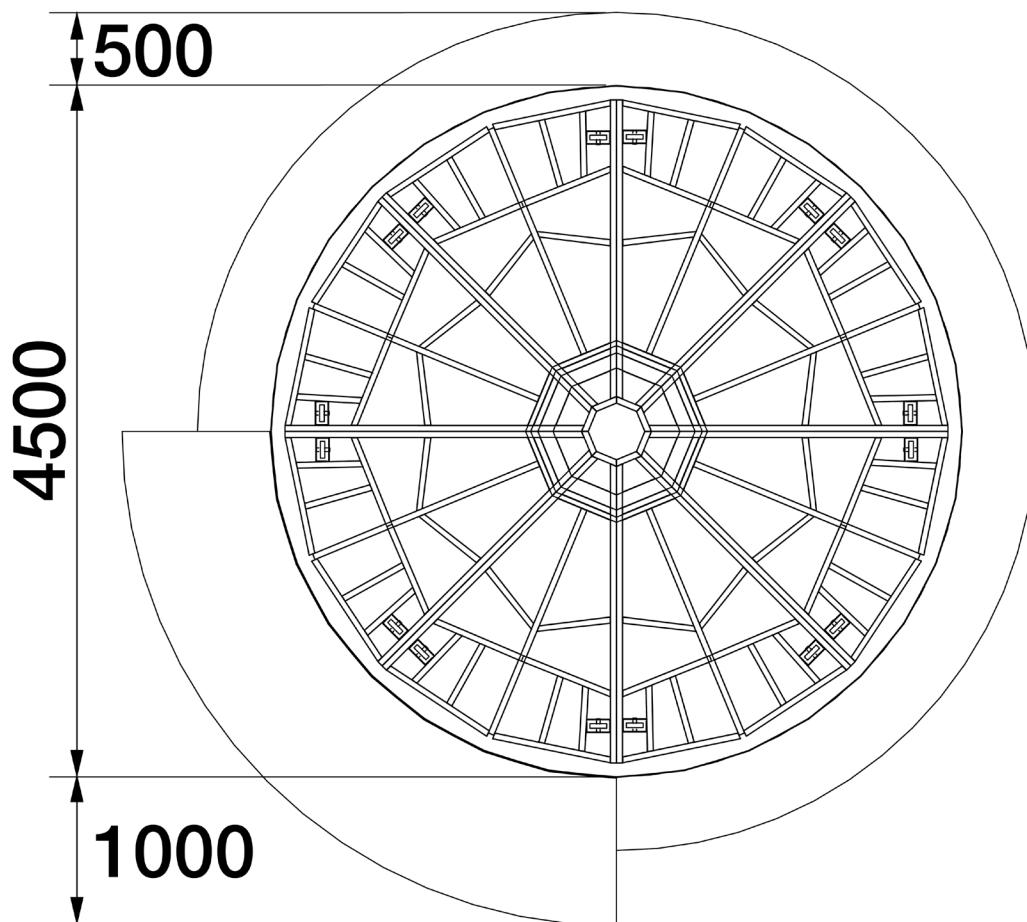
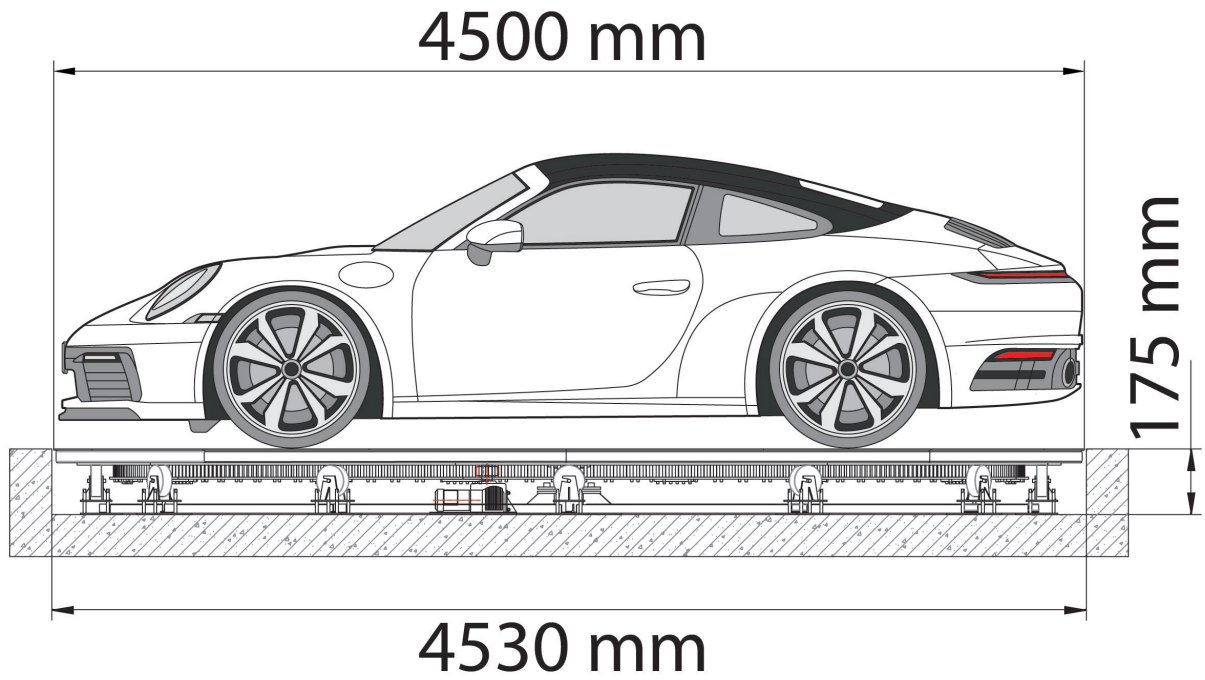
If the cause of the fault is not listed or cannot be found, please contact the expert Twin Busch GmbH team.

Never attempt to carry out repairs yourself, especially on safety devices or electrical system components. Work on electrical systems may only be carried out by qualified electricians!



13. Appendix

13.1 Turntable dimensions



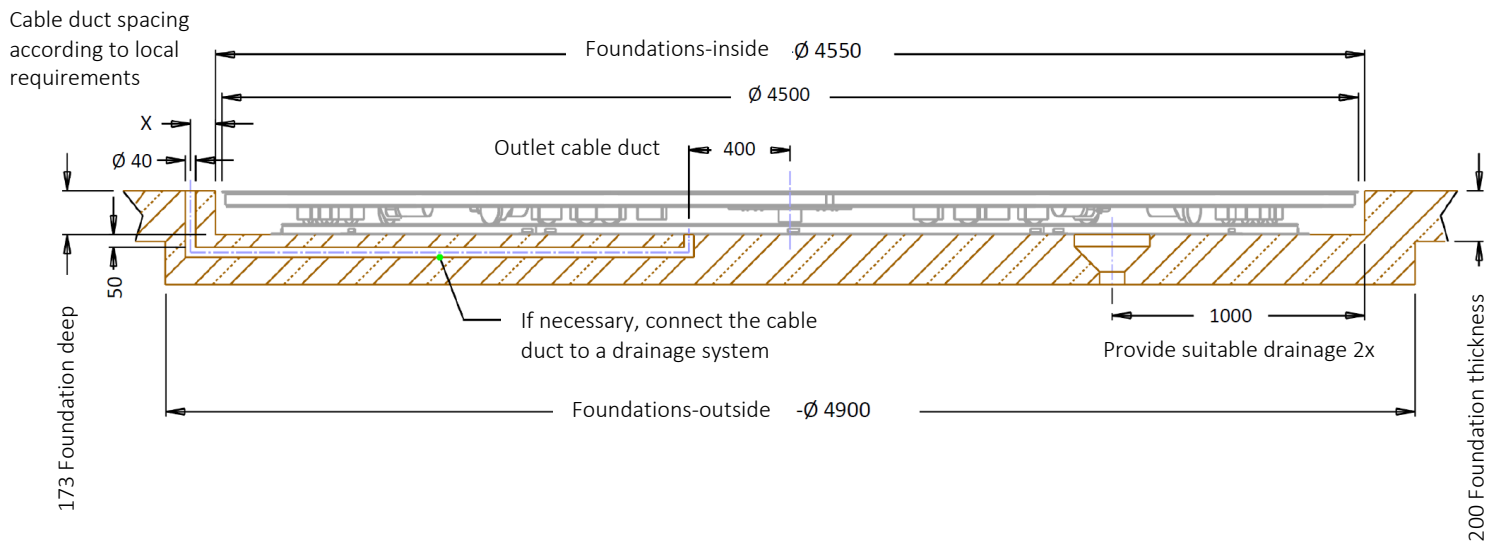
13.2 Foundation requirements and working area

Requirements for the concrete:

- Concrete C20/25 according to DIN 1045-2 (previous designation: DIN 1045 concrete B25).
- The floor must be level and have a flatness of less than 5 mm/m.
- Newly poured concrete must cure for at least 28 days.

Foundation dimensions:

Dead weight: 1470 kg (turntable)
Load capacity: 3000 kg



Other requirements:

- The surrounding soil must be suitable for the load, e.g. no sandy soils etc.
- Reinforcement of the concrete is not necessary.
- The turntable must NOT be installed on ceilings or the floor must have a basement.
- If in doubt, the foundation should always be designed by a structural engineer, and is always mandatory for installation above ground.
- When using tiles, screed, insulation and underfloor heating, please consult our technical department.

For soil exposed to frost, note the following:

For frost exposure, the concrete must comply with exposure class XF4, as dripping de-icing agent cannot be ruled out.

This results in the following minimum requirements for the concrete when exposed to frost:

Exposure class:	XF4
Maximum w/c:	0,45
Minimum compressive strength:	C30/37 (instead of C20/25)
Minimum cement content:	340 kg/m ³
Minimum air void content:	4.0 %

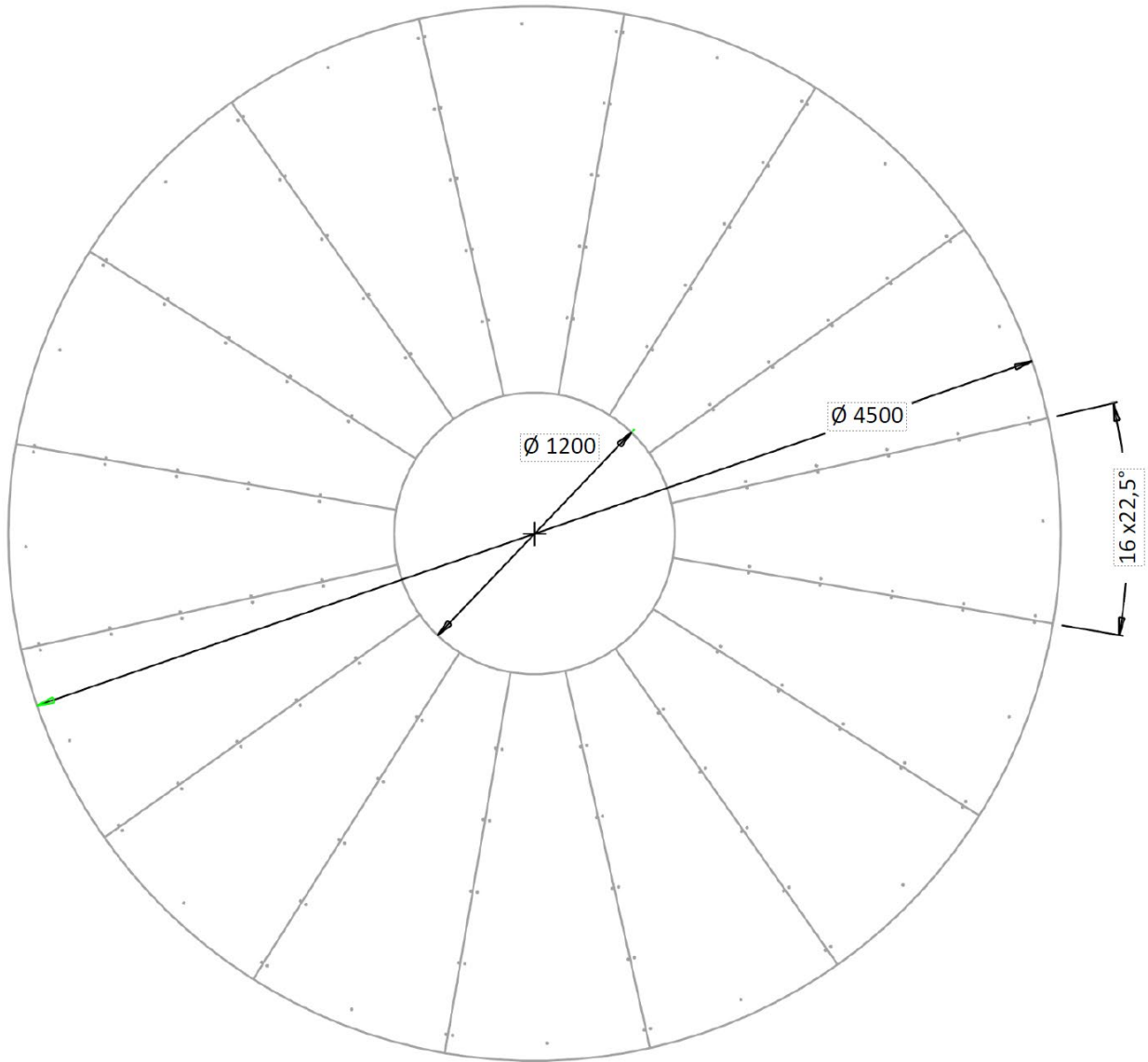


Illustration: External turntable dimensions



The company

Twin Busch GmbH | Amperestr. 1 | D-64625 Bensheim

hereby declares that the **Car Turntable**

**TWCTT-450, TWCTT-450R | 3.000 kg
(CTT)**

Serial number:

in these configurations we have placed on the marked complies with the relevant essential health and safety requirements of the following EC-directive(s) in its/their current version(s).

EC-directive(s)

2006/42/EC

Machinery

2014/35/EU

Low Voltage

2014/30/EU

Electromagnetic compatibility

Applied harmonized standards and regulations

**EN ISO 12100:2010, EN 14010:2003+A1:2009, EN 60204-1:2018,
EN 61000-6-4:2019, EN 61000-6-2:2019**

CE Certificate

No. 3J211118.QHPCD14

date of issue: 18.11.2021

place of issue: Valsamoggia

technical file no.: 3J211118.QHPCD14

Certification body

Ente Certificazione Macchine Srl

Via Ca' Bella, 243 – Loc. Castello di Serravalle

40053 Valsamoggia (BO) - Italy

Notified Body Appointment No.: 1282

In the case of improper use, as well as in the case of assembling, modification or changes which are not agreed with us, this declaration will lose its validity.

Authorized person to compile technical documentation is: Michael Glade (adress as below)



TWIN BUSCH GmbH
Amperestr. 1 · 64625 Bensheim
Tel. 06251 / 70585-0 · Fax: 70585-29

Authorized signatory: Michael Glade
Bensheim, 01.08.2023 Qualitätsmanagement

Twin Busch GmbH | Amperestr. 1 | D-64625 Bensheim
twinbusch.de | E-Mail: info@twinbusch.de | Tel.: +49 (0)6251-70585-0



You can find more products at:

twinbusch.co.uk

Twin Busch UK LTD
Kettering
Northants NN16 8PS

Tel.: +44 (0) 1536 522 960
E-Mail: info@twinbusch.co.uk
Web: www.twinbusch.co.uk

The technical specifications and illustrations provided in the user manual are not binding. Our products are subject to technical changes, so the delivered condition may vary.