



**PROFESSIONAL SCISSOR LIFT TABLE**

**TWSH12-18**

(Lifting capacity: 1200 kg)

**TWSH12-18**

# **INSTALLATION, OPERATION AND MAINTENANCE MANUAL**



*Always read these operating instructions carefully before operating the scissor lift table. Follow the instructions carefully.*

**Table of contents**

- 1. General.....1**
- 2. Identification of the instructions for use .....2**
- 3. Technical data.....2**
- 4. Modification of the product .....2**
- 5. Safety-related information.....2**
  - 5.1 Safety instructions.....3
  - 5.2 Warnings and symbols .....4
- 6. Conformity with the product.....5**
- 7. Technical specification .....5**
  - 7.1 Machine description.....5
- 8. Assembly of the scissor lift table .....6**
  - 8.1 Before installation .....6
  - 8.2 Soil conditions .....6
  - 8.3 Assembly instructions.....7
  - 8.4 Checkpoints according to the structure.....10
- 9. Commissioning ..... 11**
  - 9.1 Safety precautions..... 11
  - 9.2 Description of the operating unit ..... 11
  - 9.3 Lifting and lowering process flow chart.....12
  - 9.4 Operating instructions..... 12
- 10. Troubleshooting ..... 14**
- 11. Maintenance ..... 15**
- 12. Behavior in the event of an incident ..... 16**
- 13. Appendix ..... 17**
  - 13.1 Dimensions of the scissor lift table ..... 17
  - 13.2 Foundation requirements and working area ..... 18
  - 13.3 Hydraulic system ..... 19
  - 13.4 Circuit diagrams ..... 20
  - 13.5 Exploded mechanical drawings and parts list..... 27
  - 13.6 Optional adapters ..... 32

**Further attachment:**

- EU Declaration of Conformity

**Important information:**

**ASSEMBLY**



You can find the assembly video for this lift on YouTube: <https://youtu.be/oFKhd5MqqEY> or scan the QR code.





## TIPS & TRICKS



In the "Tips & Tricks" section we show you simple solutions to work even more efficiently with your TWIN BUSCH® products.

[https://www.twinbusch.co.uk/Tips-Tricks: :74.html](https://www.twinbusch.co.uk/Tips-Tricks/:74.html)

## 24/7 Service Center:



Our **24/7 Self-Service Center** is a mobile website designed for self-diagnosis of issues with your Twin Busch lift. Here, we provide an extensive video collection covering a wide range of relevant topics for your Twin Busch lift, from fine-tuning and maintenance to component replacement.

With the **24/7 Self-Service Center**, you have a versatile tool at your disposal to learn how to independently maintain and repair your Twin Busch lift.

To access the site on your mobile device, please visit [twinbusch.com/qr](https://www.twinbusch.com/qr) or scan the QR code provided alongside.

For Twin Busch lifts shipped from mid-2020 onwards, you'll also find the QR code on a sticker attached to the control box.

## 1. General

**Professional scissor lift table** , 1200 kg, with 230 V electro-hydraulic drive and 2-fold lifting speed, cable remote control, inclination platform with extension, suitable for daily professional workshop use. (Optional 8 adapter plates and 8 pick-ups are available). The professional scissor lift table can be moved as easily as a pallet truck.

Perfect for disassembly & assembly of vehicle components such as axle, engine, transmission and vehicle battery. Lifting platform slides approximately 40mm in lateral movement and locks for easy placement. The adjustable mounting surface of the lifting platform is equipped with 136 threaded holes (M10) which, in combination with the optionally available 8 adapter plates and 8 pick-ups, can be used extremely flexibly for the respective positioning.

The scissor lift table is steerable with a lifting drawbar and equipped with two heavy-duty castors, making it very mobile and maneuverable. Additionally 2-fold adjustable and removable push handle.

### Special features of the product:

- **1A processing quality with CE certificate for UVV approval**
- Manufactured according to **ISO 9001**
- 230 V with electro-hydraulic drive
- Cable remote control removable
- 230 V power cable removable
- Tilt platform with double fine thread adjustment and uniball bearing
- Platform size Width: 800 mm Length: 1740 mm to 2170 mm
- Lifting platform can be shifted and locked in lateral movement by 40 mm Inclination angle of the lifting platform can also be adjusted in longitudinal direction
- 2-fold lifting speed
- 2-fold adjustable and removable push handle
- Automatic safety locking and unlocking
- Emergency lowering function in case of a power failure
- Steerable lifting drawbar with two heavy-duty rollers incl. foot protection
- 1 hydraulic cylinder for powerful lifting and lowering
- High-quality powder coating
- Warning sound when lowering
- Height limit switch
- Optional: 8 adapter plates with 8 receptacles for flexible mounting

## 2. Identification of the instructions for use

Instruction manual **TWSH12-18**

of Twin Busch GmbH,  
Ampèrestraße 1,  
D-64625 Bensheim

Phone: +49 6251-70585-0  
Telefax: +49 6251-70585-29  
Internet: [www.twinbusch.de](http://www.twinbusch.de)  
Email: [info@twinbusch.de](mailto:info@twinbusch.de)

Twin Busch UK Ltd.  
9, Linnell Way  
Telford Way Industrial Estate  
NN16 8PS, Kettering (Northants)

Phone: +44 (0) 1536 522 960  
Internet: [www.twinbusch.co.uk](http://www.twinbusch.co.uk)  
Email: [info@twinbusch.co.uk](mailto:info@twinbusch.co.uk)

Status: -00, 03.07.24

File: TWSH12-18\_Scissor\_lift\_table\_Manual\_uk\_00\_20240703.pdf

## 3. Technical data

Lifting capacity CE	1,200 kg
Lifting height max.	1800 mm / OD max. 2100 mm
Lifting time	1 stage: 45 sec. / 2nd stage 170 sec.
Drive voltage	230 V
Drive power	1.5 kW
Fuse protection	16 A (C/sluggish)
Own weight	767 kg
Total width	900 mm
Total length	2354 mm

## 4. Modification of the product

Improper use, modifications, conversions and attachments of the scissor lift table and all its components that have not been agreed with the manufacturer are not permitted. The manufacturer accepts no liability for improper installation, operation or overloading. Improper use also invalidates the CE certification and the validity of the certificate.

If you require any changes, please contact your dealer or the expert staff at Twin Busch GmbH beforehand.

## 5. Safety-related information

Read the operating instructions carefully before operating the scissor lift table. Keep the instructions for future reference. Follow the instructions carefully to achieve the best performance from the machine and to avoid damage due to personal negligence.

Check all connections and components thoroughly for damage. The scissor lift table may only be put into operation if it is in a safe operating condition.

The applicable national regulations, laws and directives must be observed.

Only users over the age of 18 who have been instructed in the operation of the scissor lift and have demonstrated their ability to do so to the owner may be authorised to operate the scissor lift unsupervised. Authorisation must be given in writing.

**Only lift within the rated load. Do not attempt to lift with excessive weight.**

## 5.1 Safety instructions

- Recommended for indoor use only.
- Read and understand the safety instructions before operating the scissor lift table.
- Only use the scissor lift table if the foundation is stable and can bear the load.
- Keep hands and feet away from moving parts. Pay particular attention to your feet when lowering.
- The lifting platform may only be operated by trained personnel.
- Only lift within the lifting capacity.
- Wear suitable work clothing.
- The area around the lifting platform should always be kept free of obstructions.
- Always ensure that all safety precautions are taken.
- Before lifting, run the scissor lift table for a complete cycle without load to ensure that it is in good condition.

**Never remove safety-relevant components.**

**Do not use the scissor lift table if safety-relevant components are missing or damaged.**

- Always check the mobility of the scissor lift table to guarantee its performance. Ensure regular maintenance. If an irregularity occurs, stop work immediately and contact your dealer.
- Lower the scissor lift table completely when it is not in use. Do not forget to disconnect the power supply.
- If you do not use the scissor lift table for a longer period of time:
  - a. Disconnect the lift from the power source
  - b. Empty the oil tank
  - c. Lubricate the moving parts with lubricating oil/grease

**Caution: To protect the environment, dispose of the unused oil in the prescribed manner.**

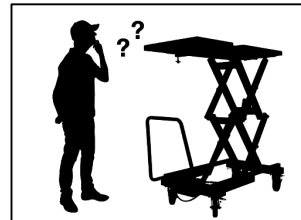
- **The special adapter plate set must be used to raise the lift table platforms higher. You can find this at:**  
[www.twinbusch.co.uk](http://www.twinbusch.co.uk)

5.2 Warnings and symbols

All warnings are clearly visible to ensure that the user uses the appliance in a safe and appropriate manner. The warning signs must be kept clean and replaced if they are damaged or missing. Please read the signs carefully and memorise their meaning for future use.



Read instructions and safety instructions carefully before use!



The scissor lift table may only be operated by qualified personnel!



Repairs and maintenance only by qualified personnel, never put safety devices out of operation!



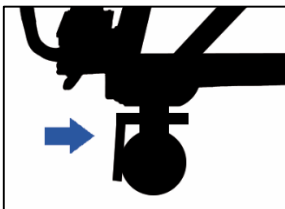
Risk of crushing when lifting or lowering!



Do not exceed the specified load capacity! Place the weight in the centre of the platform!



Always monitor the scissor lift table (when lifting or lowering)!



When parking the scissor lift table, always tighten the brakes on the castors!



No additional supports or interfering objects when lowering!



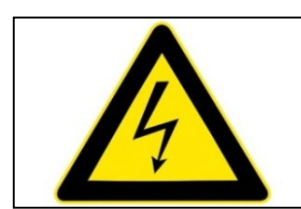
It is strictly forbidden for persons to stand on the scissor lift table or to ride on it!



Do not use on a gradient of more than 2.5 %!



Do not use outdoors at wind speeds higher than 14 m/s!



CAUTION!  
Electrical voltage!

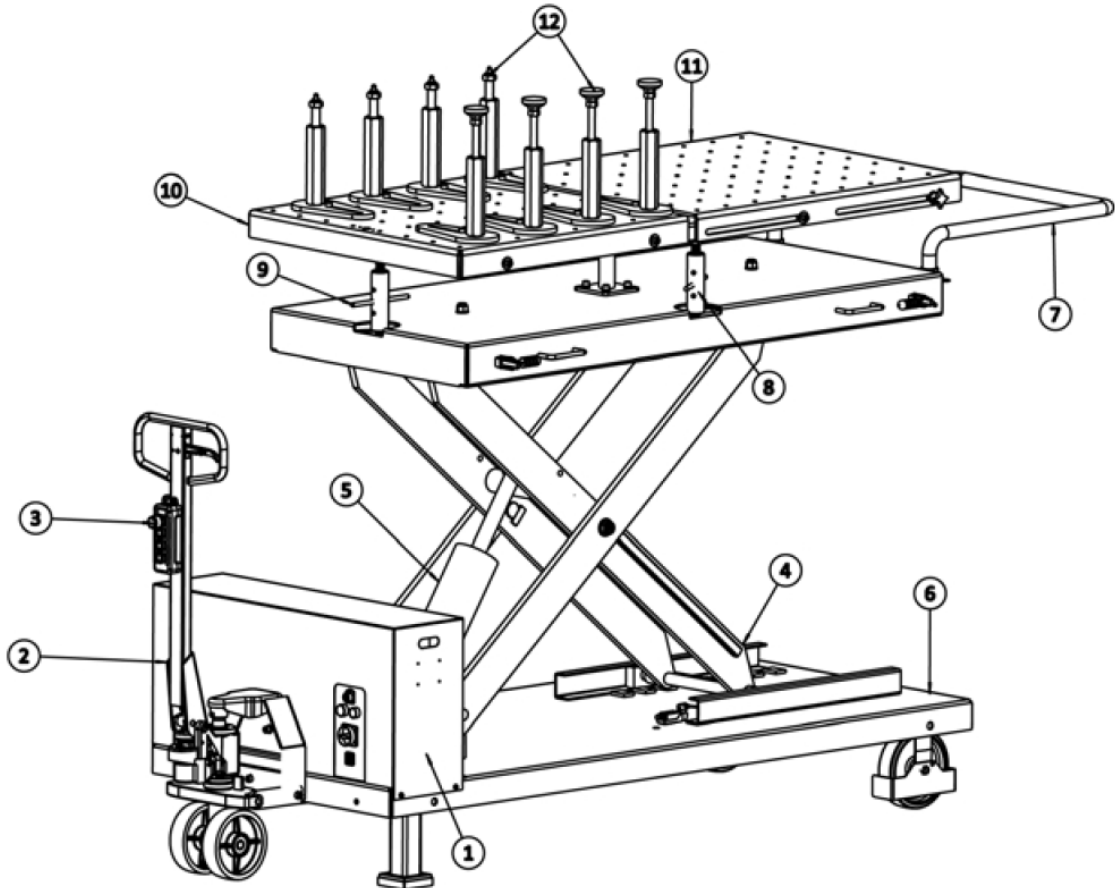


## 6. Conformity with the product

The scissor lift table TWSH12-18 is CE-certified and compliant with the Machinery Directive 2006/42/EC fulfilling the standards EN 1570-1:2011 + A1:2014 (look at: EU Declaration of Conformity, at the end of the user manual).

## 7. Technical specification

### 7.1 Machine description



POS.	Description
1	Power unit
2	Mobile jack
3	Hand-held control unit
4	Support arm
5	Hydraulic cylinder
6	Base frame
7	Hand-held bar
8	Side-tilt adjusting device
9	Front-tilt adjusting device
10	Fixed side of the platform
11	Extendable side of the platform
12	Adapter (optional)

## **8. Assembly of the scissor lift table**

### **8.1 Before installation**

Tools and equipment required:

- Allen key (8 mm)
- Electric drill (only required for permanent installation)
- Spanner
- Phillips screwdriver
- Socket spanner
- Lifting tool (e.g. forklift)
- Hydraulic oil HM 46

### **8.2 Soil conditions**

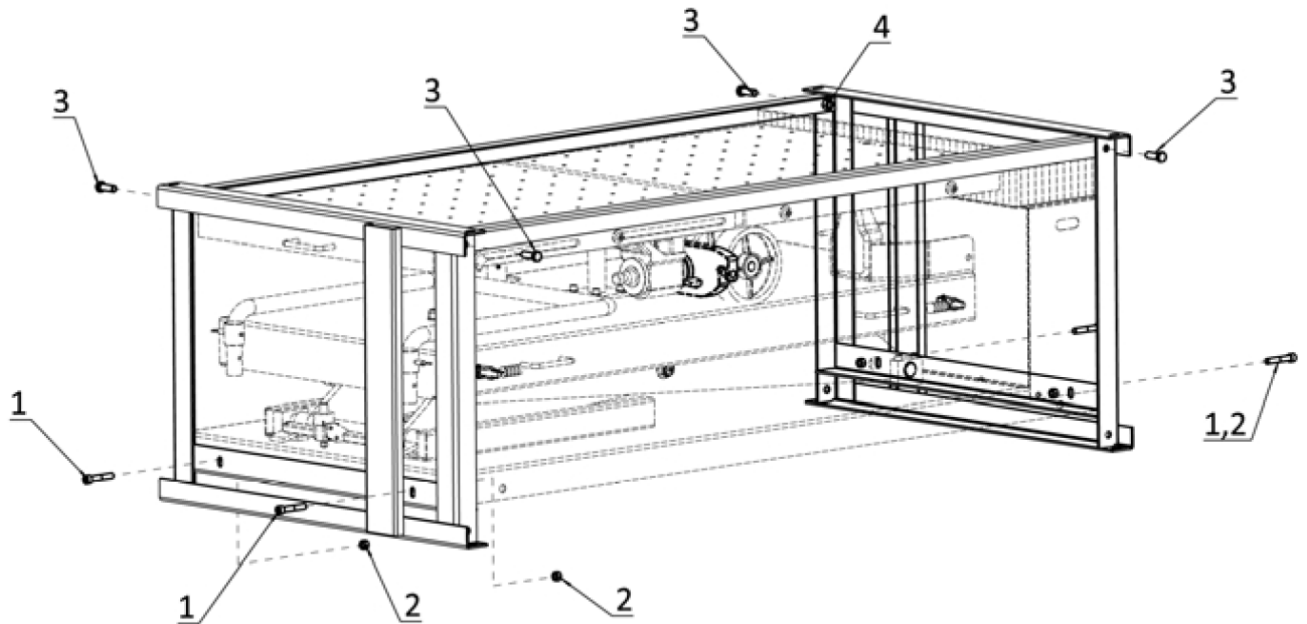
Only use this scissor lift table on a surface that is stable, level, dry and not slippery and can bear the load. The scissor lift table must not be used on a solid concrete floor with a slope of more than 2.5 %. Failure to do so may result in injury or even death. Only use the scissor lift table on stable asphalt surfaces.

Detailed information can also be found in the corresponding foundation plan on our homepage at [www.twinbusch.co.uk](http://www.twinbusch.co.uk).

**8.3 Assembly instructions**

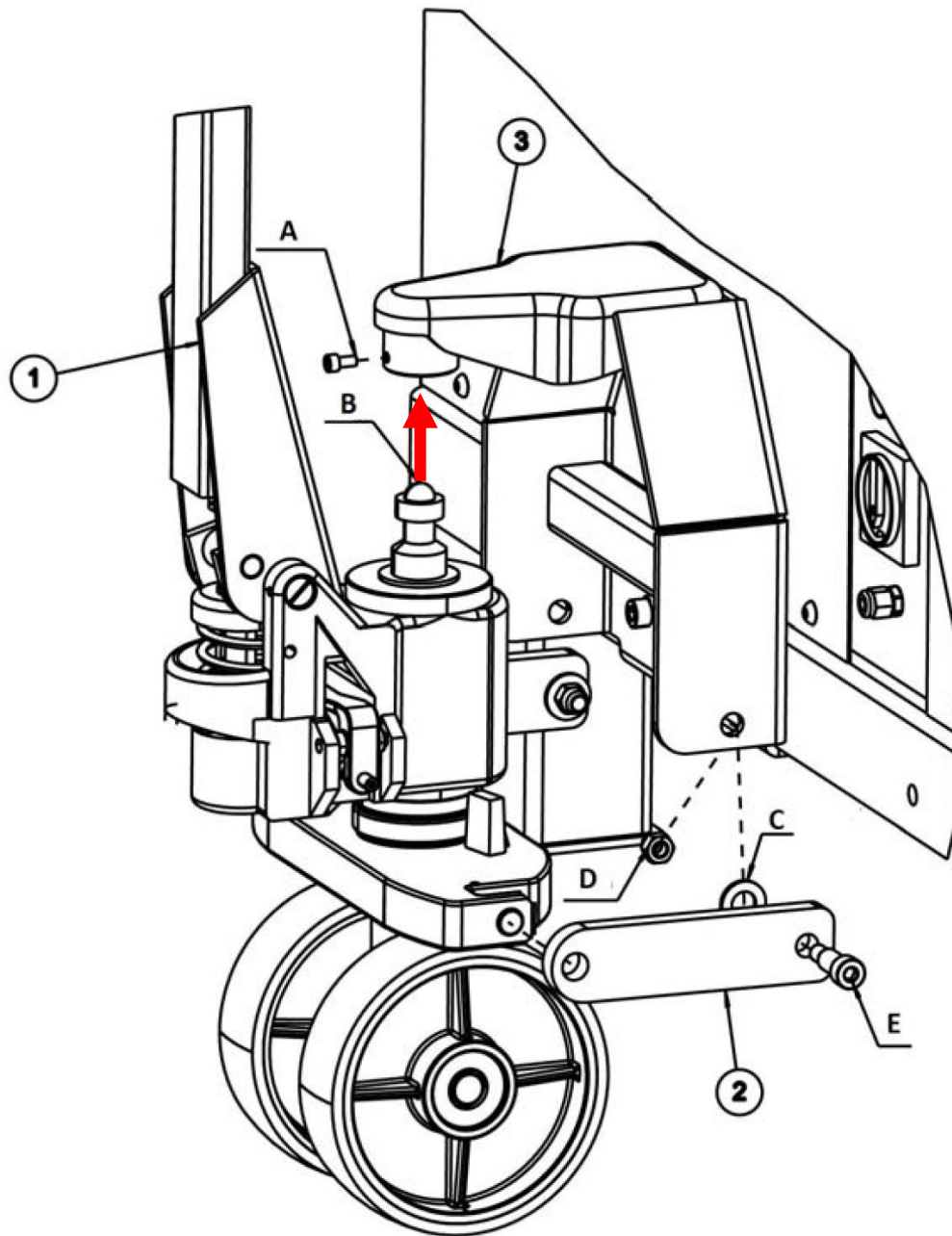
- 1) Remove the packaging film. Read and understand the operating instructions before proceeding.
- 2) Prepare two wooden slats with a thickness of more than 100 mm and a length of more than 700 mm. Stack the packaging frame on two of the slats so that its base is not on the floor. Loosen all the screws securing the lift table and its packaging frame and remove the accessories located under the platform.

Take care not to scratch the paint surface.



- 1 Hex socket cylinder head screw M10x70
- 2 Hex nut M10
- 3 Hex head full threaded bolt M14x40
- 4 Hex nut M14

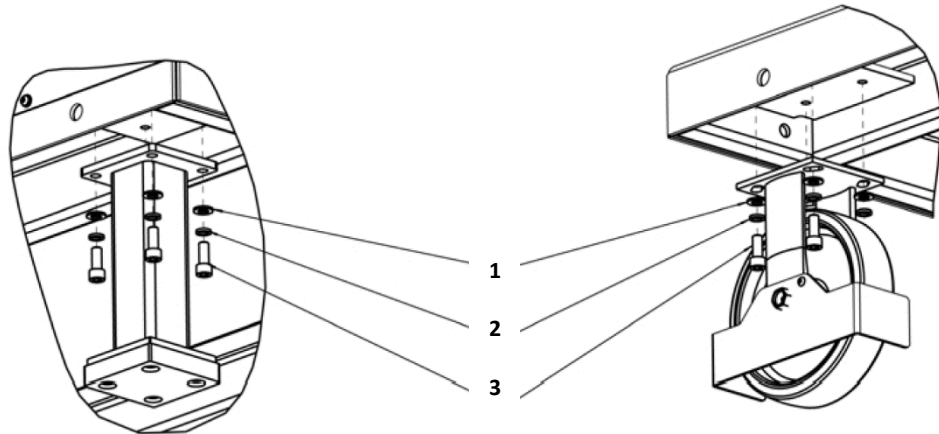
- 3) Pull the locking pins of the handle and remove them. Remove the enclosed packages and put them to one side.
- 4) Now attach the mounting plate and the lifting axle to the scissor lift table.
- 5) Install the jack.  
To do this, loosen the M6x12 screw on the mounting plate so that it is freely accessible. Insert the steel ball into the fixture of the lifting axle. Insert the lifting pin into the opening in the mounting plate and secure it.



- A Hex socket cylinder head screw M6x12
- B Steel ball
- C Flat washer D14
- D Locking nut M10
- E Hex socket button head screw M10x25

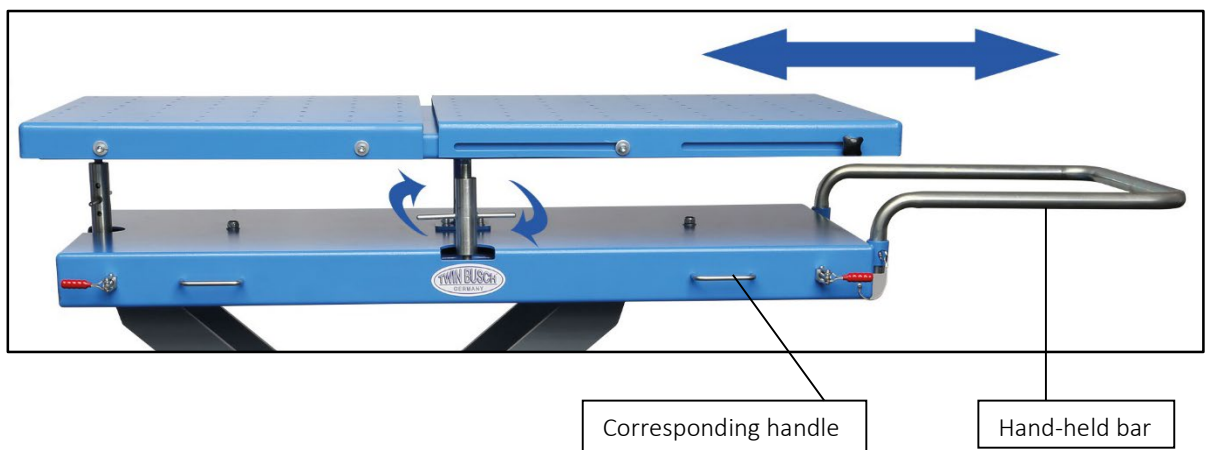
- 1 Lifting axle
- 2 Connection of lifting axle and mounting plate
- 3 Mounting plate

- 6) Connect the lifting axle to the mounting plate with 2 fitting screws, washers and nuts. (E)
- 7) Now **carefully** tighten the screw on the lifting pin.
- 8) Remove the heavy-duty castors and supports from the transport frame. Fit these to the rear of the scissor lift table with the foot protection brackets facing outwards. The corresponding screws and spring washers are required here.



- 1 M10x25 hex socket cylinder head screw
- 2 Flat washer D10
- 3 Split washer D10

- 9) Loosen the fixed screws on the side and pull the movable mounting plate slightly forwards. Attach the corresponding handle.



- 10) Insert the grab rail and secure it with the retaining pins. Now lift the frame with a lifting tool and remove the fastenings on the lower frame.
- 11) Now bring the scissor lift table into the desired working position.

- 12) Now connect the power supply to the operating element with the plug connectors on the lift table and establish the power supply.
- 13) Fill the oil tank with hydraulic oil.  
**Only use clean and fresh oil!** The scissor lift table must be fully lowered before changing or topping up the hydraulic oil.  
 Fill about 3 litres into the oil tank to run the lift up and down for the 2 or 3 cycles. It is recommended to use **HM NO.46 hydraulic oil** if the average temperature at the place of use is above 18 °C and to use **HM NO. 32** hydraulic oil if the temperature is below 10 °C. Change the oil 6 months after the first use and then once a year.

**8.4 Checkpoints according to the structure**

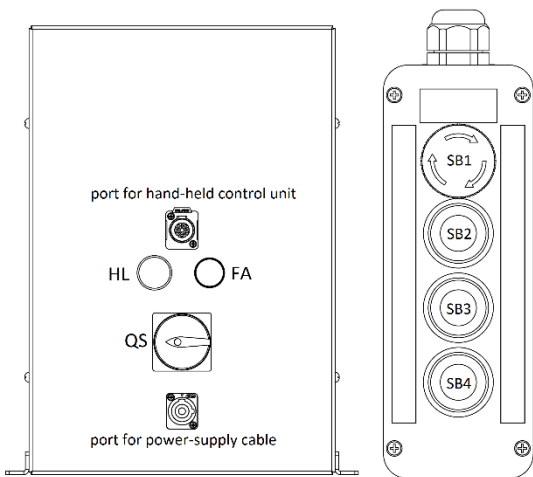
S/N	Check	YES	NO
1	The scissor lift table raises and lowers gently?		
2	There are no unusual noises when operating under nominal load?		
3	There is no oil leakage under nominal load?		
4	Are the joints all screwed tight?		
5	Have all parts that need to be greased been greased?		

## 9. Commissioning

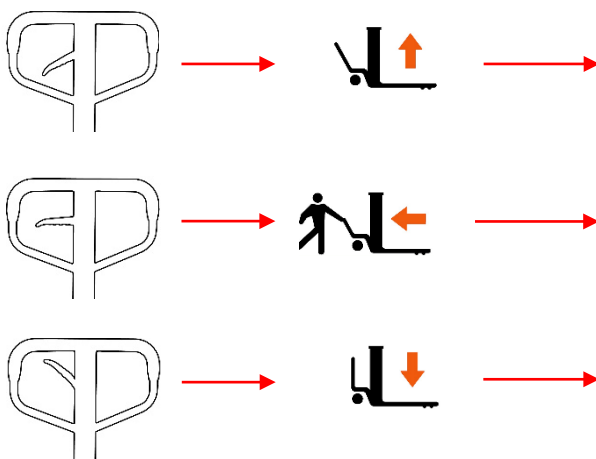
### 9.1 Safety precautions

- If the safety devices are defective or show abnormalities, the scissor lift table must not be put into operation under any circumstances!
- Check that all connections of the hydraulic lines are tight and functional. If there are no leaks, the lifting process can be started.
- Only the operator should be in the vicinity of the lifting platform and observe it during a lifting or lowering operation. Always ensure that there are no persons in the danger zone.
- Vehicle components should always be aligned so that the centre of gravity is in the middle of the platform. If this is not the case, the scissor lift table should not be used. Otherwise, neither we nor the dealer, if any, will accept responsibility for any problems or damage caused.
- Make sure that nothing prevents the lift table from being lowered.

### 9.2 Description of the operating unit

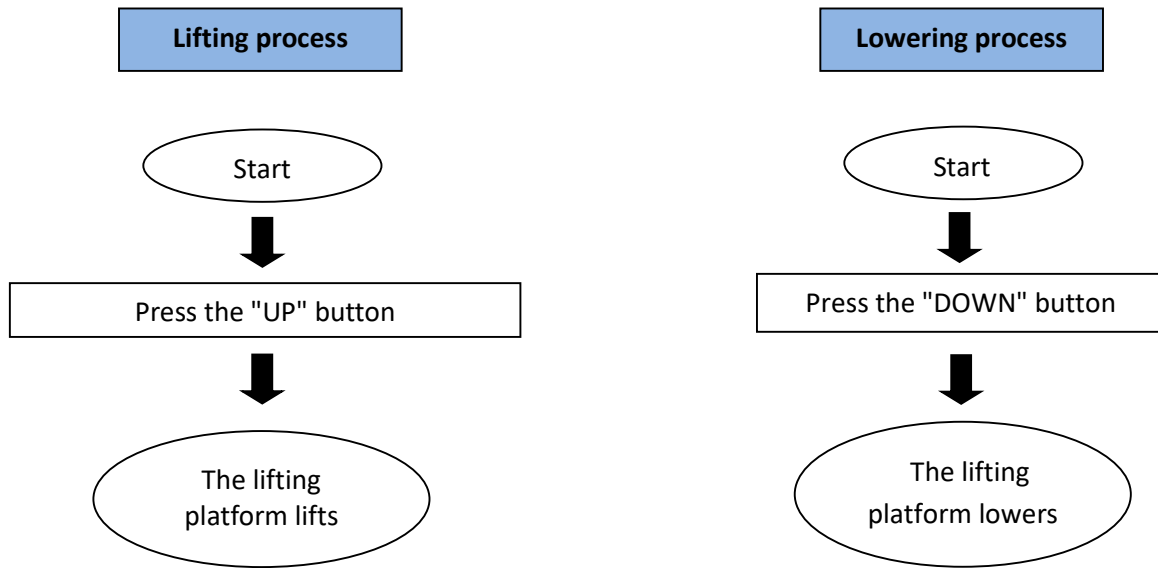


	Description	Function
QA	Main switch	Turn on or off the main power supply
HL	Power indicator	Display if power supply is connected
SB1	Stop button	Turn off the hand-held control
SB2	UP button	Lifting process Slow
SB3	UP button	Lifting process Normal
SB4	DOWN button	Lowering process
FA	Buzzer	Acoustic warning in case of overload and descent



Description	Function
Lifting	Press the lifter down and move the handle up and down to lift.
Neutral	Keep the lifter in the neutral position when moving the lift table.
Lowering	Pull the lifter upwards to lower the lift table.

### 9.3 Lifting and lowering process flow chart



### 9.4 Operating instructions

#### 9.4.1 Lifting process

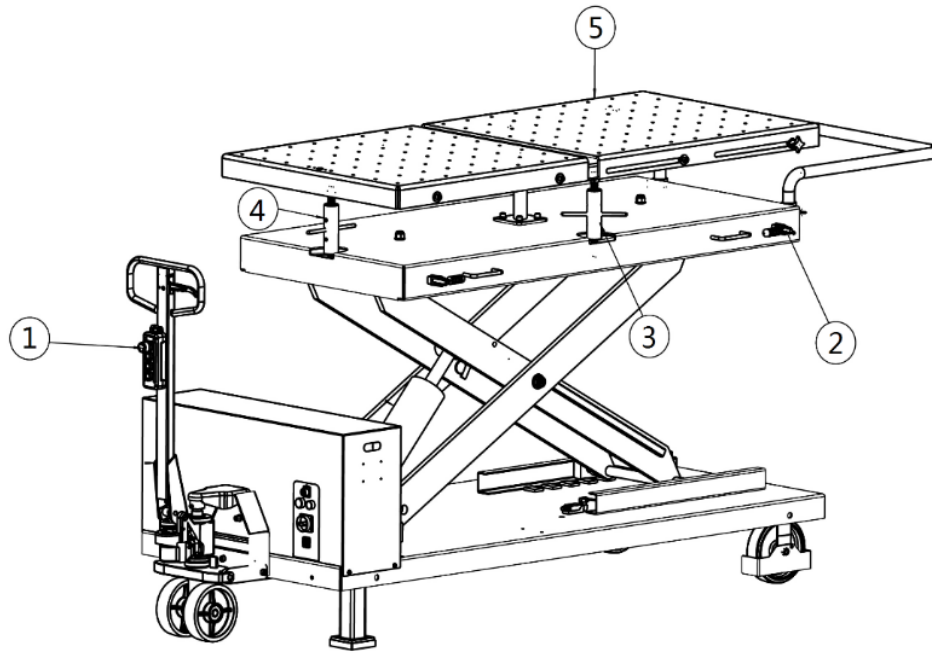
1. Read and understand the operating instructions before starting work.
2. Push the lift table under the load to be lifted. Lower the mobile pallet lifter.
3. Press the "UP" button to the desired height.
4. Switch off the mains switch before starting maintenance work.

#### 9.4.2 Lowering process

1. When lowering the lifting platform, make sure that people and objects are kept away.
2. Press the "DOWN" button until the desired height is reached. Switch off the mains switch.

**Caution:** If the mechanical safety lock is engaged and the lift cannot be lowered, please check this and press the UP button lightly to release the mechanical lock before pressing the DOWN button to lower it.





S/N	Description	Function
1	Hand-held control unit	Control raising and lowering movement
2	Swing device	The lower platform can be horizontally moved within 40mm by releasing the grips. When there is a slight deviation to align the fixture, release the grip and the lower platform can be moved to certain position that is suitable to align the fixture with the intended load. When the alignment is finished, push the grip back to make the platform static.
3	Tilting device	If the intended load is not completely horizontal, a slight tilt can be added. of the platform to ensure better contact between the platform and the load. Inclination by adjusting the height threaded bolt.
4	Tilting device	If the intended load is not completely horizontal, a slight inclination can be of the platform to ensure better contact between the platform and the load. Inclination by adjusting the height threaded bolt.
5	Expandable platform	Use it if it is necessary to install an additional bracket during the Maintenance to attach or carry longer loads.

### 10. Troubleshooting

**Attention:** Do not hesitate to contact the expert staff at Twin Busch GmbH if you are unable to rectify a fault yourself. We will be happy to help you solve the problem. In this case, please document the fault and send us pictures and a precise description of the fault so that we can identify and rectify the cause as quickly as possible.

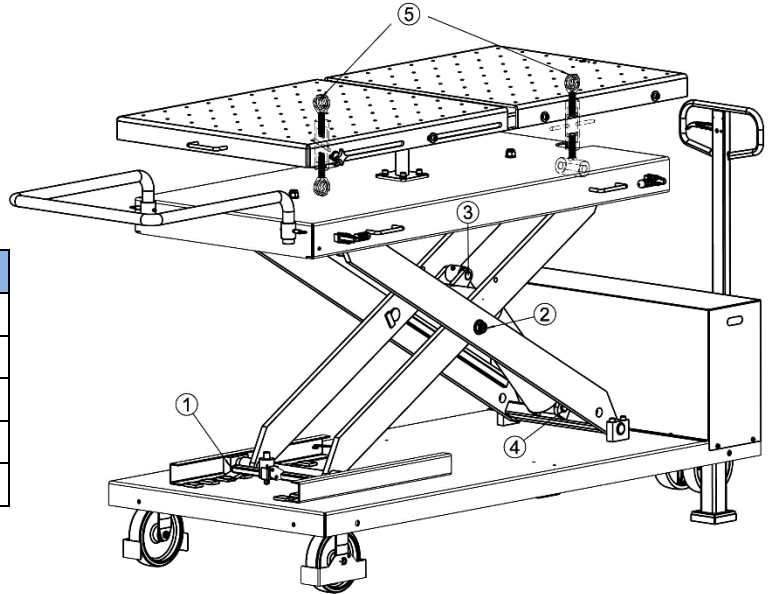
The following table lists possible errors, their cause and the associated troubleshooting for quicker identification and self-remedy.

PROBLEMS	CAUSE	SOLUTION
The motor is not running and cannot be raise.	Loose cable connection.	Check the connection and make sure it is secure.
	Burnt motor.	Replace it.
The motor runs, but does not raise.	The relief valve is not screwed on correctly or jammed.	Clean or adjust.
	Damaged gear pump.	Replace it.
	Oil level too low.	Add oil.
	The hose connection is loose.	Pull it tight.
	The cushion valve is not well screwed or jammed.	Clean or adjust.
The table lowers slowly, after he was raised.	The oil hose is leaking.	Check or replace it.
	Oil cylinder not tightened.	Replace the seal.
	The non-return valve is leaking.	Clean or replace them.
	Solenoid unloading valve is not working properly.	Clean or replace them.
	The unloading valve is leaking.	Check and adjust the tightness.
Lifting too slowly.	Jammed oil filter.	Clean or replace it.
	Oil level too low.	Add oil.
	The pressure relief valve is not in the correct position set.	Make adjustment.
	Hydraulic oil too hot (over 45°).	Change the oil.
	Ground down cylinder seal	Replace the seal.
Lowering too slowly.	Jammed one-way flow control valve	Clean or replace them.
	Contaminated hydraulic oil	Clean or replace.
	Jammed oil hose	Clean it.

**11. Maintenance**

Regular maintenance of your lift will ensure a long and safe service life. Suggestions for maintenance intervals and the activities to be carried out are listed below. How often you service your lift depends on the ambient conditions, the degree of soiling and, of course, the stress and load on the lift.

The following points must be lubricated:



S/N	Description
1	Sliding Blocks
2	Middle shaft of the support arm
3	Upside shaft of the cylinder
4	Downside shaft of the cylinder
5	Threaded adjusting rod

S/N	ITEM	DESCRIPTION	PERIOD
1	Foot casters	Push and turn the lifting cable to check the mobility of the casters.	Every day
2	Surface of the load-carrying platform	Inspect and wipe off the oil and stains before use.	Every day
3	Control buttons	Check if control buttons work as "hold- to -run " and check if they work as the function indicated.	Every day
4	Mechanical safety catch	Check whether it can be engaged and disengaged by pressing the control buttons.	Every day
5	Circlip	Inspect if any circlip goes off its groove. Make sure they are positioned in the grooves.	Every month
6	Sliding blocks and tracks	Push the UP and DOWN button to check if any slider is over-worn. Add grease to ensure smooth running. Change over-worn sliders.	Every month
7	Scissor lift table	Carry out several cycles with and without nominal load. The table runs stably and evenly, without any unusual noises.	Every month
8	Hydraulic blocks	Check whether the valves are leaking or not. Clean the valve or replace it if it is leaking.	Every month

9	Oil hose and cylinder fitting	Before using the lift table, check that there are no leaks.	Every month
10	Hydraulic oil	Change the oil 6 months after initial start-up and once a year thereafter. Check the hydraulic oil and change the oil if it turns black or if there is dirt in the oil tank. It is recommended to use HM NO.46 hydraulic oil.	Every year

**12. Behavior in the event of an incident**

If the lift malfunctions, simple faults may be the cause.

If the cause of the fault cannot be found, please contact the expert Twin Busch GmbH team.

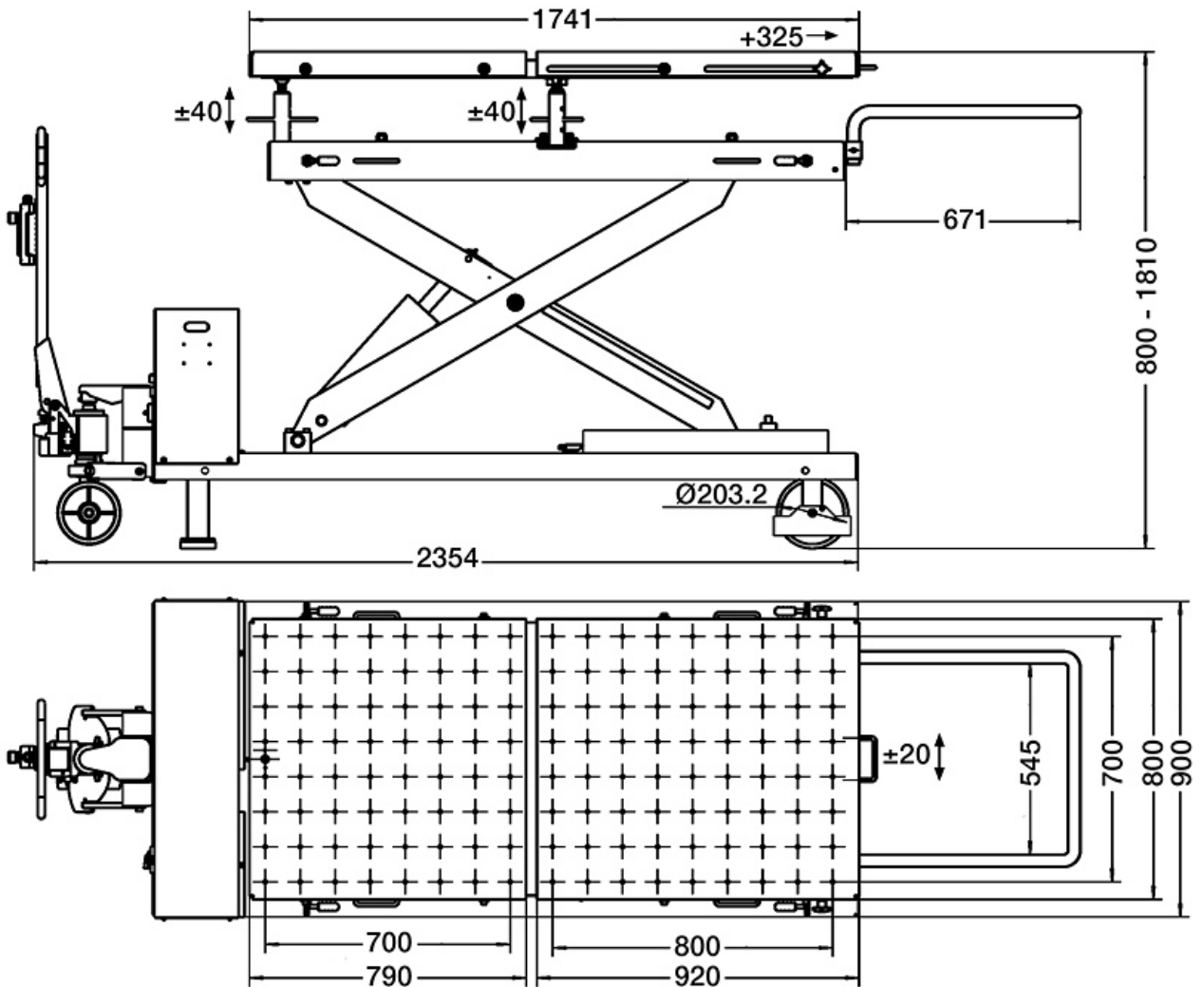
*Never attempt to carry out repairs yourself, especially on safety equipment or electrical system components.*



Work on electrical systems only by qualified electricians!

### 13. Appendix

#### 13.1 Dimensions of the scissor lift table



**13.2 Foundation requirements and working area****Requirements for the concrete:**

- Concrete C20/25 according to DIN 1045-2 (previous designation: DIN 1045 concrete B25).
- The floor must be level and have a flatness of less than 5 mm/m.
- Newly poured concrete must cure for at least 28 days.

**Other requirements:**

- The surrounding soil must be suitable for the load, e.g. no sandy soils, etc.
- Reinforcements in the concrete are not mandatory for proper use of the lift, but are recommended.
- If in doubt, the foundation should be determined and checked by a structural engineer.

**The following must be observed for soil exposed to frost:**

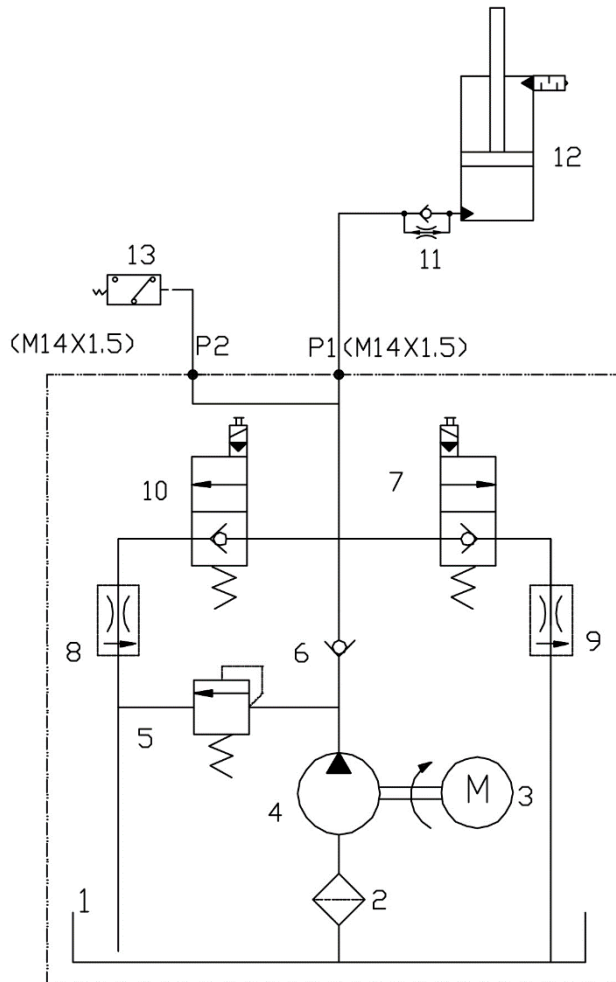
In the case of frost exposure, the concrete must correspond to exposure class XF4, as dripping de-icing agent cannot be ruled out.

This results in the following minimum requirements for concrete under frost stress:

Exposure class:	XF4
Maximum w/c:	0,45
Minimum compressive strength:	C30/37 (instead of C20/25)
Minimum cement content:	340 kg/m <sup>3</sup>
Minimum air void content:	4.0 %

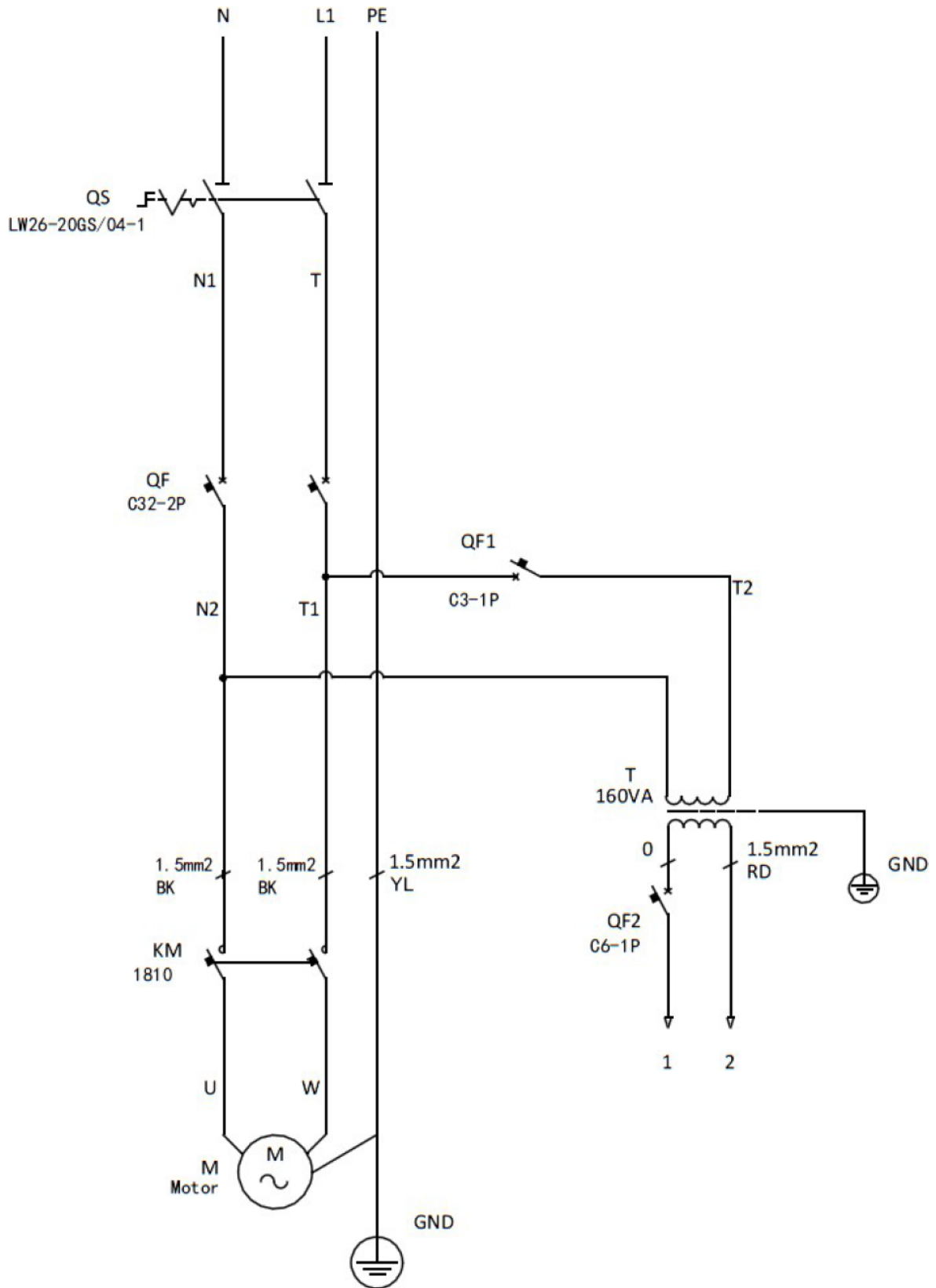
However, it must be noted that the lifts are not designed for outdoor use. Although the control box complies with IP54, the rest of the electrics, motors and limit switches have a maximum IP44 rating.

13.3 Hydraulic system

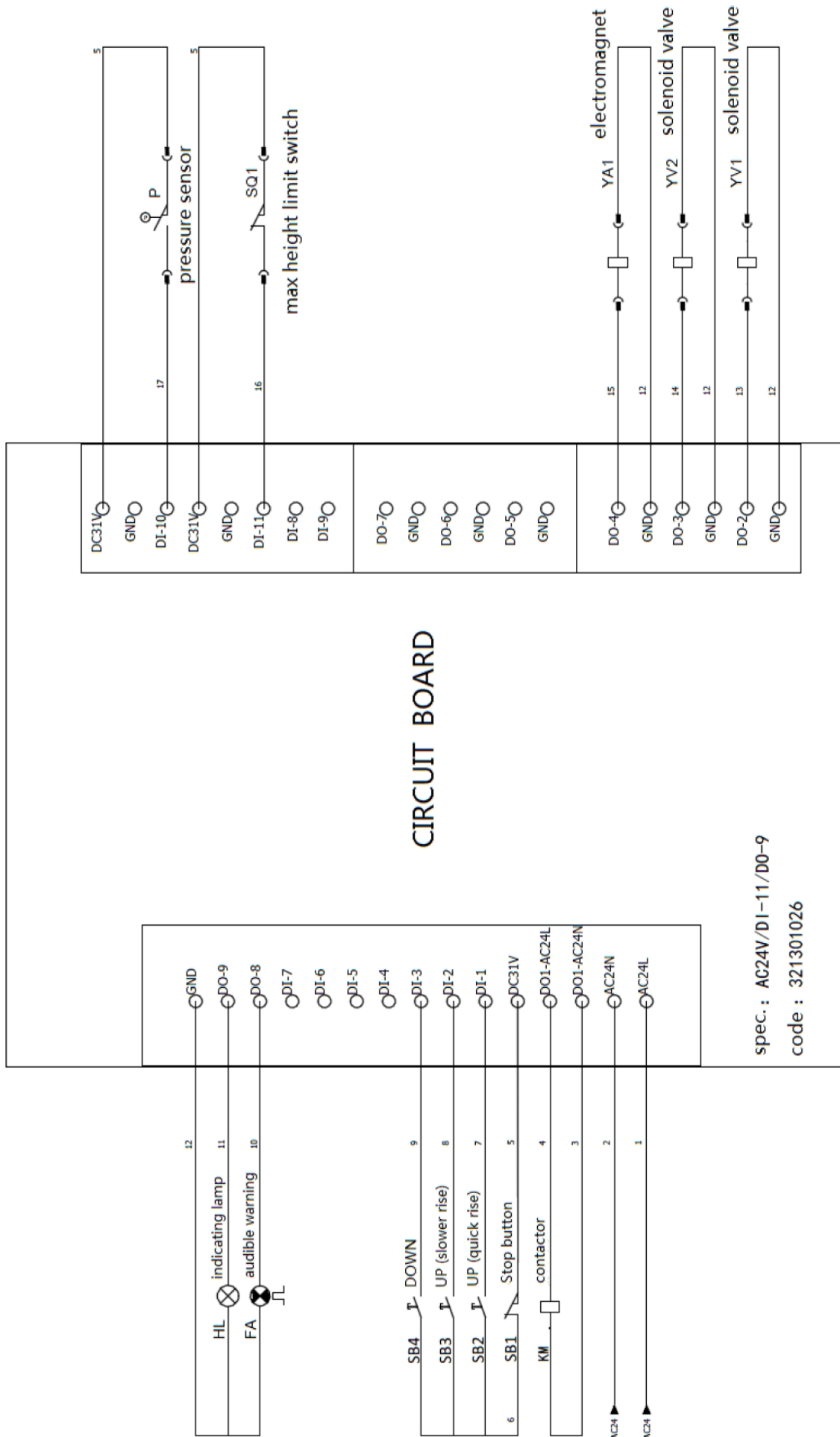


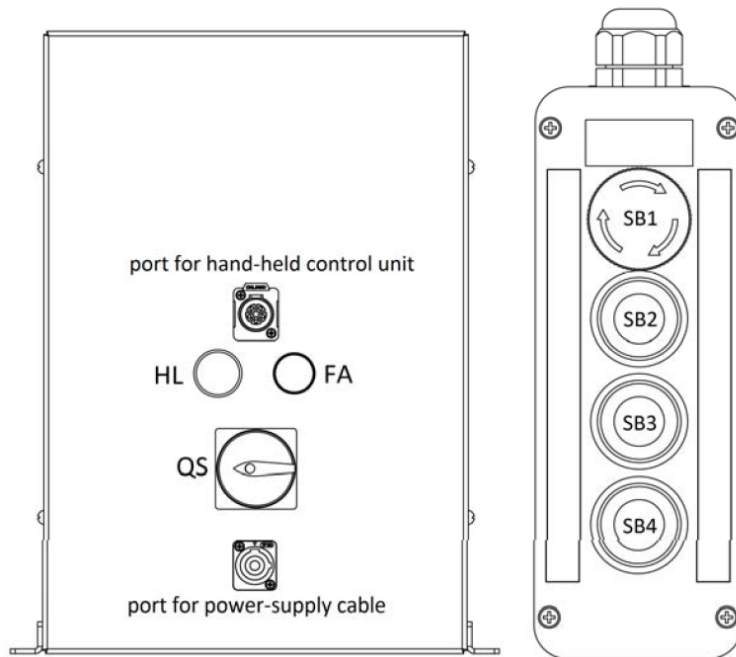
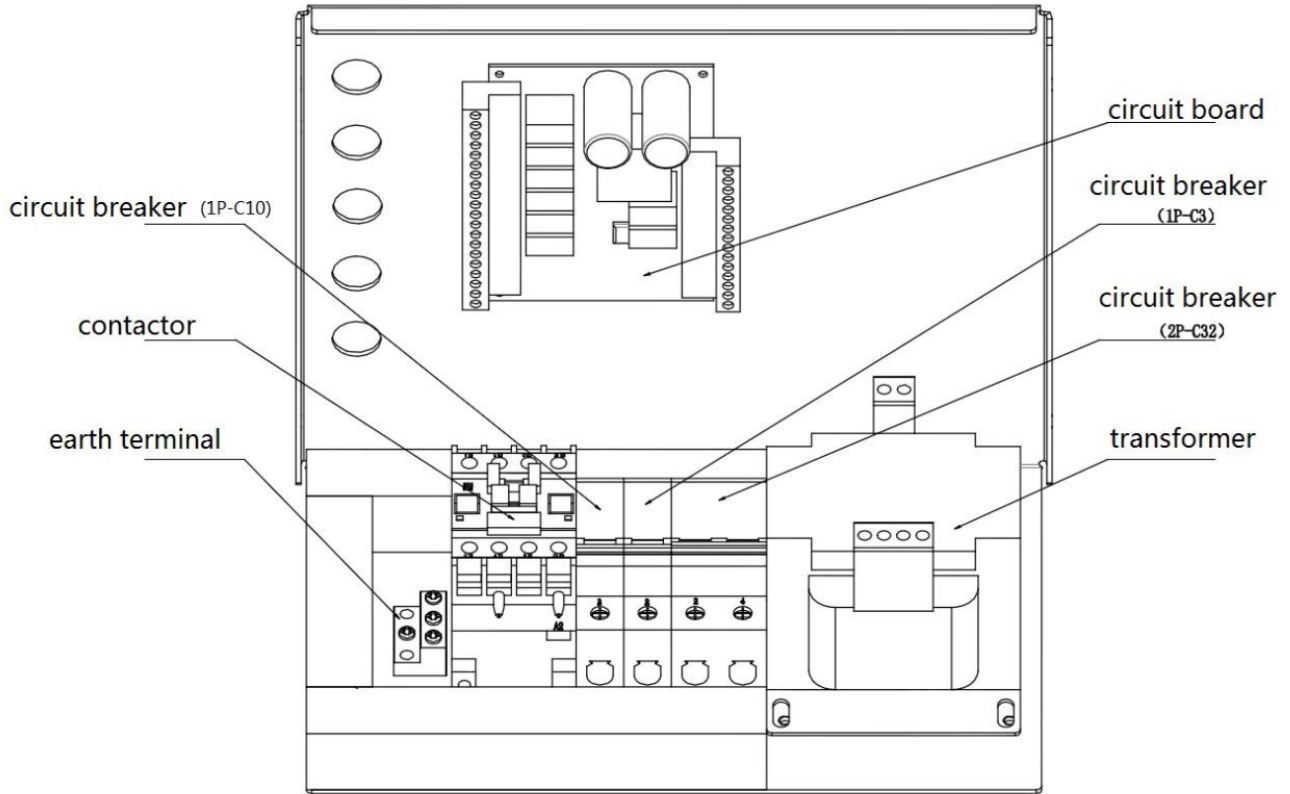
- 1 Steel reservoir
- 2 Filter
- 3 Motor
- 4 Gear pump
- 5 Relief valve
- 6 Non-return valve
- 7 Spool of the solenoid valve
- 8 Pressure make-up valve
- 9 Spool of the solenoid valve
- 10 Pressure make-up valve
- 11 Cylinder connector (restrictive valve included)
- 12 Cylinder
- 13 Pressure detection sensor

13.4 Circuit diagrams

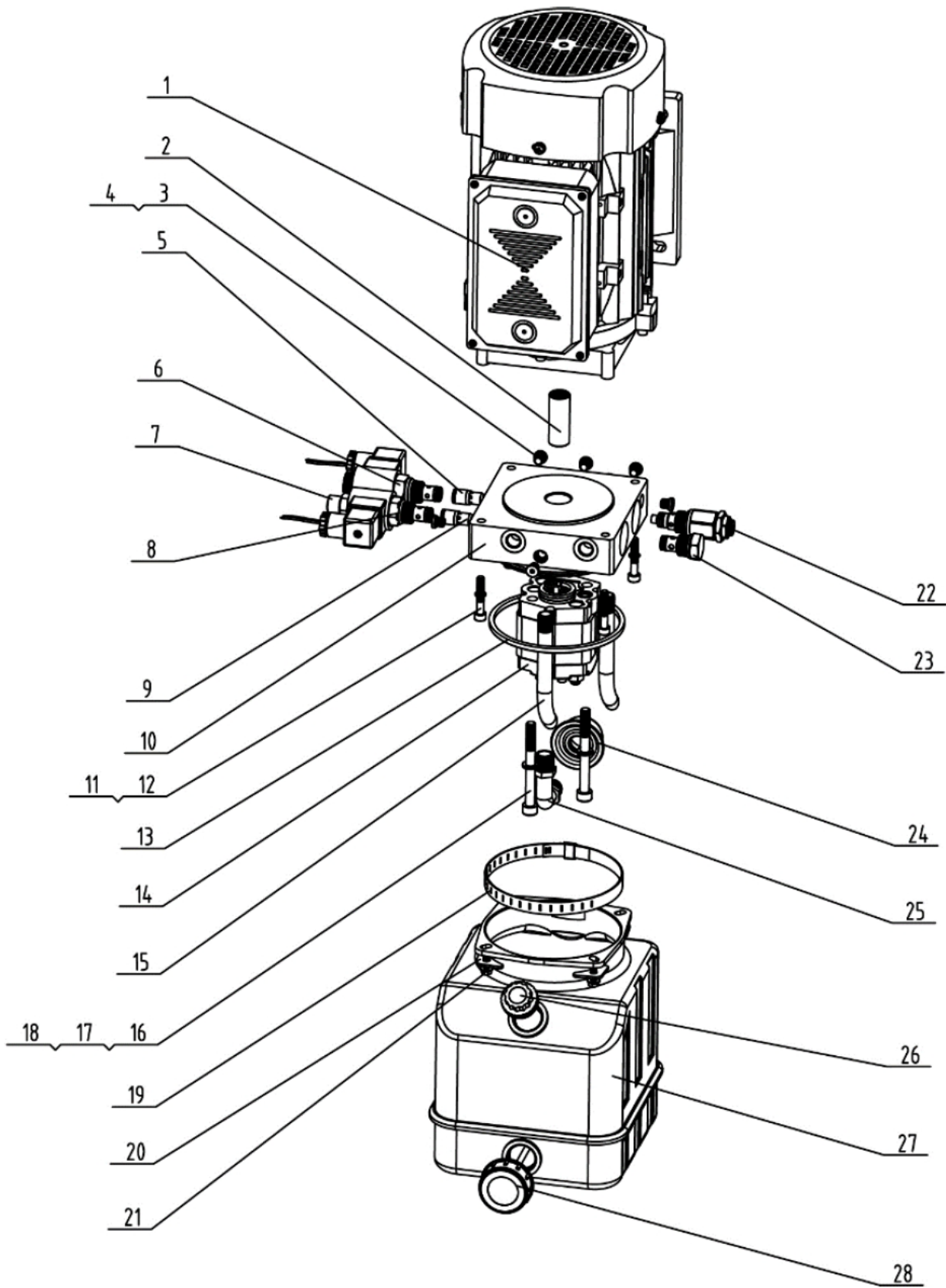




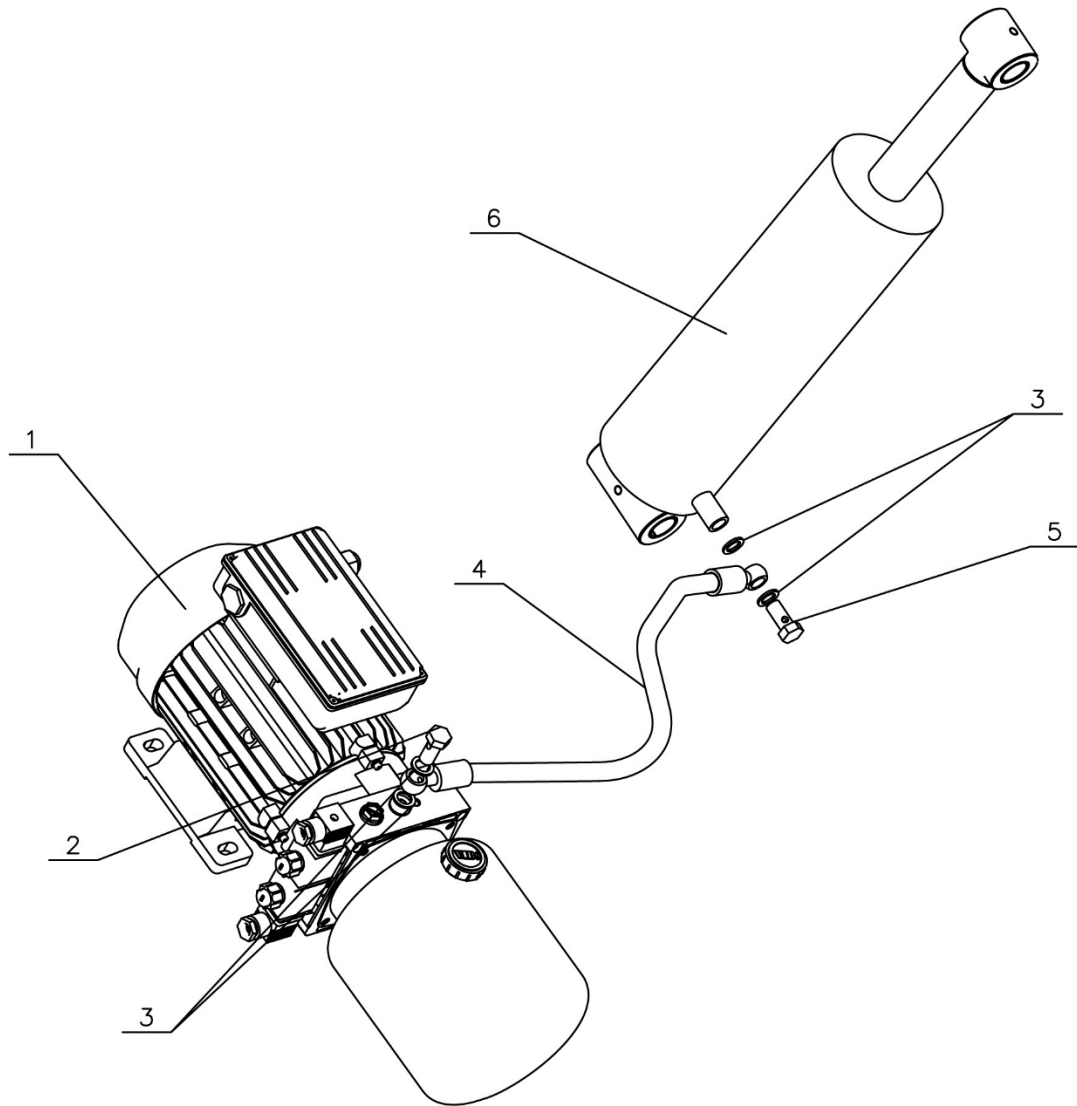




S/N	Component	Code	Descriptions	Specification	Quantity
1	SB1,SB2,SB3,SB4	320307035	Hand-held control	COP-4B	1
2	PLC	321301026	PCB circuit board	AC24V/DI-11/DO-9	1
3	KM	320901011	AC contactor	CJX2-1810/AC24V	1
4	SQ1	320301011	Limit switch	TZ8108	1
5	QF	320802001	Circuit breaker	DZ47-63C32/2P(NXB-63C32/2P)	1
6	QA	320304001	Power switch	LW26GS-20/04	1
7	HL	321201001	Indicator lamp	AD17-22G-AC/DC24	1
8	-	320503002	Earth terminal	4 positions	1
9	FA	321202001	Alarm buzzer	AD17-22SM/AC/DC24	1
10	QF2	320803006	Circuit breaker	CDB6iC10/1P (CB-60A C10)	1
11	YA	330310018	Electromagnet	DCT45*20	1
12	QF1	320803003	Circuit breaker	CDB6iC3/1P	1
13	T	320101129	Transformer (110 V )	JBK5-160VA110V-24V	1
13	T	320104005	Transformer (220 V/230 V/240 V)	JBK5-160VA 220V230V240V-24V	

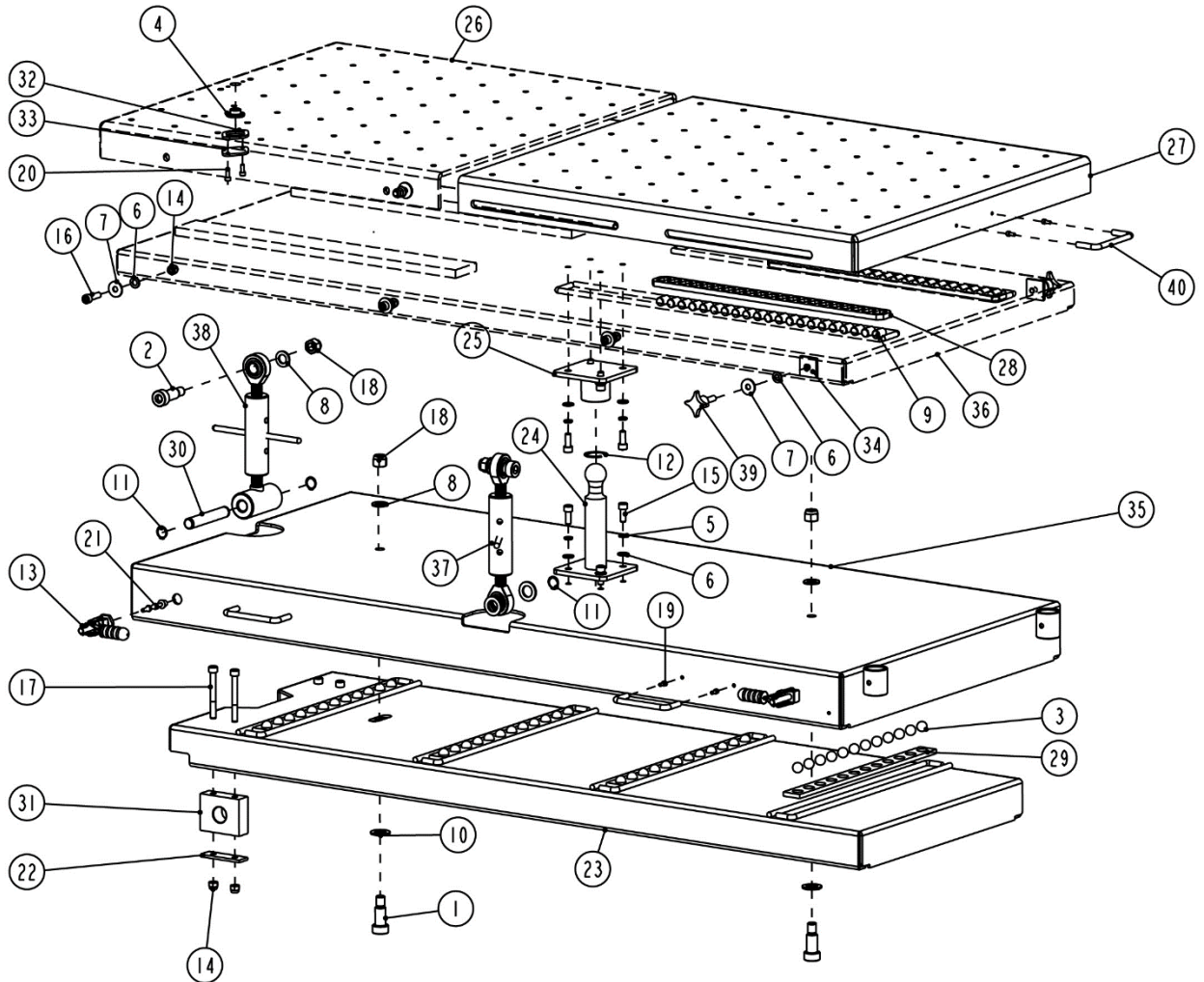


S/N	Code	Description	Specification	Quantity
1	320204236	Motor	220V-1.5KW -1PH-50HZ-4P	1
2	330404006	Coupling	48mm (YBZ-F2.1D4H1/1-03)	1
3	207101100	O-seal ring	EKM,6.5*1.5	8
4	210101015	Fitting	YBZ1-PG02A	8
5	330308033	Pressure compensating valve	BL-I0.8	1
6	330308035	Valve spool of the solenoid valve	DHF08-220	1
7	203204102	Locking nut	FHLM-1/2-20UNF	1
8	330311005	Valve spool of the solenoid valve	24DC(Keta) (LSV-08-2NCP-M-2H)	1
9	330308034	Pressure compensating valve	BL-I1.2	1
10	330105015	Hydraulic block	LBZ-T202FK-1	1
11	202109024	Hex socket cylinder head screw	M6X35-GB70_1	4
12	690305227	Split washer	30502004	4
13	207101098	O-seal ring	109*5.3	1
14	330201005	Gear pump	CBK-F220/CBK-2.1F	1
15	330402014	Oil-back pipe	YBZ-D5B4H2/1-02	2
16	204101005	Flat washer	D8-GB95	1
17	204201013	Split washer	M8	2
18	202109071	Hex socket cylinder head screw	M8x80-GB70_1	1
19	330503030	Stainless stell binding	105-127*12/JB/T8870,1	1
20	430025028	Strengthening plate	SLYX-FHDP-01	4
21	202101022	Cross socket cap head screw	M5X12-GB818	4
22	330304010	Relief valve	DANRV-08-50	1
23	330302008	Non-return valve	YBZ-E2D3I1/1-03	1
24	330403010	Oil-sucking filter	YBZ-4-100	1
25	330401022	Oil-sucking pipe	YBZ-F0.63Y1/1-01	1
26	210101016	Oil reservoir fitting	G3/4	1
27	330405064	Oil reservoir	Plastic	1
28	330502015	Cover	YBZ-BT-G3/4-C	1



S/N	Code	Description	Specification	Quantity
1	320204236	Motor (230V-1Ph-50Hz)	220V-1.5KW -1PH-50HZ-4P	1
		Motor (220V-1Ph-50Hz)		1
		Motor (110V-1Ph-60Hz)		1
		Motor (220V-1Ph-60Hz)		1
2	410281130	Cylinder connector	CJ-A12-B5-C10	1
3	207103025	Bonded washer	13_7X20X1_5	1
4	624002128	Oil hose	L=800	4
5	310102038	Cylinder connector (including throttle valve)	MLH600-A1-B1	1
6	615062206	Cylinder	YG100/117-40-280	1

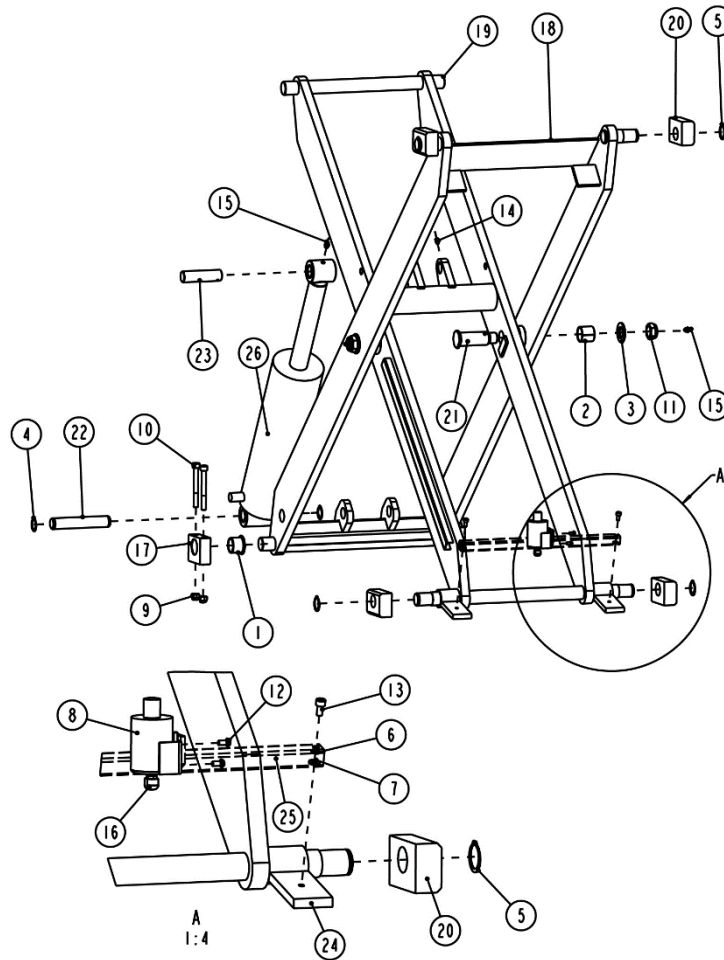
13.5 Exploded mechanical drawings and parts list



S/N	Code	Description	Specification	Quantity
1	202208008	Hex socket cylinder head screw (with shaft shoulder)	20-M16X35-GB5281	2
2	202208009	Hex socket cylinder head screw (with shaft shoulder)	20-M16X40-GB5281	2
3	420270280	Rolling ball	6435B-A21	48
4	208107015	Levelling bubble scale	BFHD-3412	1
5	204101006	Flat washer	D10-GB93	8
6	204101006	Flat washer	D10-GB95	16
7	201104001	Flat washer	D10-GB96	8
8	204101009	Flat washer	D16-GB95	4
9	206101014	Cylindrical pin	D16X25-GB119_2	42
10	204101011	Flat washer	D20-GB95	4
11	204301007	Circlip	D20-GB894_2	3
12	204301205	Circlip	D40-GB893_1	1
13	208109022	Quick clamp	GH-36204M	4
14	203103007	Hex locking screw	M10-GB889_1	10
15	202109042	Hex socket cylinder head screw	M10X25-GB70_1	8

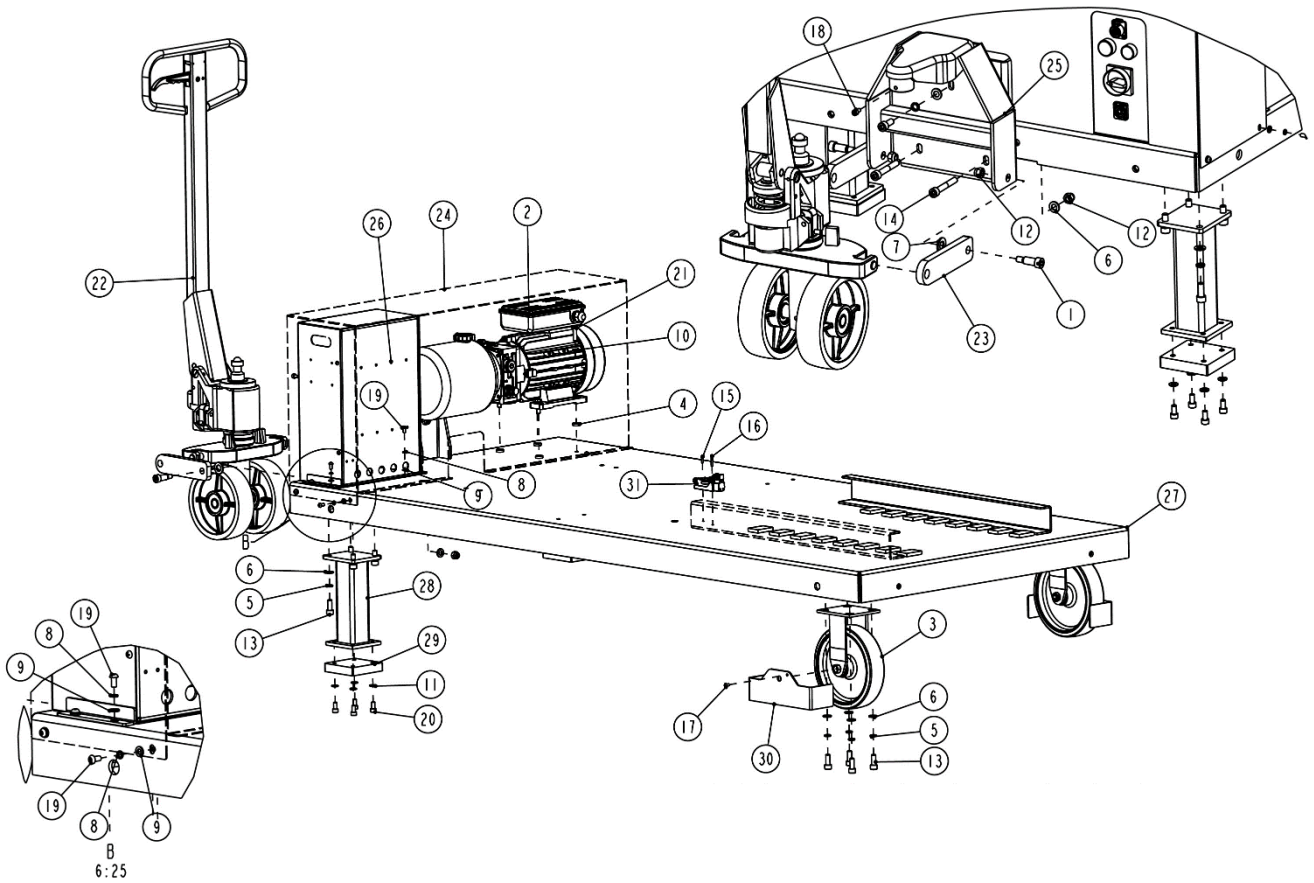
S/N	Code	Description	Specification	Quantity
16	202109044	Hex socket cylinder head screw	M10X35-GB70_1	6
17	202109142	Hex socket cylinder head screw	M10X90-GB70_1	4
18	203103019	Hexagonal locking screw	M16-GB889	4
19	202109008	Hex socket cylinder head screw	M5X12-GB70_1	10
20	202109020	Hex socket cylinder head screw	M6X15-GB70_1	2
21	208109020	Rubber pressing head	M8X75	4
22	410563111	Padding plate	MS12AC-A2-B6	2
23	614059207	Lower sider platform	MS12AC-A3-B1	1
24	614059209	Cardan joint holder	MS12AC-A3-B3	1
25	614059210	Cardan joint cap	MS12AC-A3-B4	1
26	410563303B	Fixed platform	MS12AC-A3-B6	1
27	410563313	Platform extension	MS12AC-A3-B7	1
28	420560060B	Needle roller cage	MS12AC-A3-B8	2
29	420560070	Ball roller holder	MS12AC-A3-B9	4
30	410562741	Shaft	MS12AC-A3-B10	1
31	420560040	Support holder	MS12AC-A3-B13	2
32	410563393	Lining plate	MS12AC-A3-B14	1
33	410563403	Padding plate for levelling bubble scale	MS12AC-A3-B15	1
34	410901097	Installation plate for hand-held bar	MS12AC-A3-B16	2
35	614901031	Support platform	MS12M-A3-B2	1
36	614901032	Tilting platform	MS12M-A3-B5	1
37	615068021	Side-tilting assembly	MS12M-A3-B17	1
38	615068022	Front-tilting assembly	MS12M-A3-B18	1
39	208109026	Cross knob	NCRM10-35	2
40	208109019	Stainless steel knob	US10-120	5





S/N	Code	Description	Specification	Quantity
1	205103004	Flange bearing	3026-SF-1F	2
2	205101054	Bearing	3030-SF-2X	2
3	204101012	Flat washer	D24-GB95	2
4	204301009	Circlip	D25-GB894_2	2
5	204301010	Circlip	D28-GB894_2	4
6	204201003	Spring washer	D6-GB93	2
7	204101004	Flat washer	D6-GB95	2
8	330310018	Electromagnet	DCT45X20	1
9	203103007	Hex locking nut	M10-GB889_1	4
10	202109142	Hex socket cylinder head screw	M10X90-GB70_1	4
11	203103018	Hex locking nut	M24X3-GB6172_2	2
12	202101021	Cross socket cap head screw	M5X10-GB818	2
13	202109019	Hex socket cylinder head screw	M6X12-GB70_1	2
14	202209002	Hex socket tapping screw	M8X12-GB79	1
15	208106001	Straight oil cup	M8YB-JB9740_1	4
16	420550010	Adjustable head	MR35E-A09-B02	1
17	410563353	Support holder	MS12AC-A2-B1	2
18	614059203	Outside support arm	MS12AC-A2-B2	1
19	614059204	Inside support arm	MS12AC-A2-B3	1

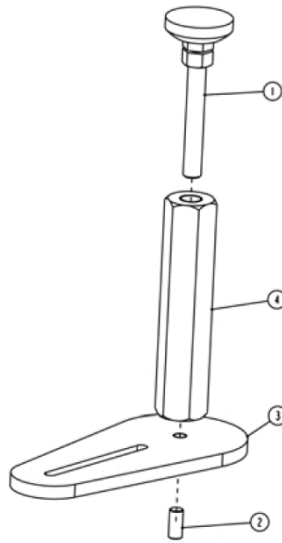
20	420560050	Sliding block	MS12AC-A2-B4	4
21	410562291	Middle shaft of the support bracket	MS12AC-A2-B5	2
22	410562301	Downside shaft of the cylinder	MS12AC-A2-B7	1
23	410562311	Upside shaft of the cylinder	MS12AC-A2-B8	1
24	612059205B	Mechanical safety block	MS12AC-A2-B9	2
25	614059206B	Connecting rod of the lock assembly	MS12AC-A2-B10	1
26	615062206	Cylinder	YG100/117-40-280	1



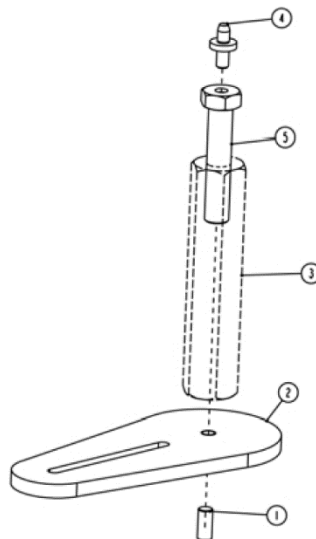
S/N	Code	Description	Specification	Quantity
1	202208007	Hex socket cylinder head screw	13X25-GB52+D2:D2681	2
2	622034263	Power unit	220V/230V-1.5KW-1PH-50HZ	1
	622034276	Power unit	220V-1.5KW-1PH-60HZ	
	622034306	Power unit	110V-1.5KW-1PH-50HZ	
	622034265	Power unit	110V-1.5KW-1PH-60HZ	
3	420680063	TPU caster	47-08252	2
4	204101006	Flat washer	D10-GB93	17
5	204101006	Flat washer	D10-GB95	19

S/N	Code	Description	Specification	Quantity
6	204101008	Flat washer	D14-GB95	2
7	204201003	Spring washer	D6-GB93	10
8	204101004	Flat washer	D6-GB95	10
9	204201004	Spring washer	D8-GB93	4
10	204101005	Flat washer	D8-GB95	12
11	203103007	Hex locking nut	M10-GB889_1	5
12	202109042	Hex socket cylinder head screw	M10X25-GB70_1	17
13	202109080	Hex socket cylinder head screw	M10X70-GB70_1	2
14	202101009	Cross socket cap head screw	M4X14-GB818	1
15	202101010	Cross socket cap head screw	M4X25-GB818	1
16	202110001	Hex socket button head screw	M5X8-GB70_2	2
17	202109019	Hex socket cylinder head screw	M6X12-GB70_1	1
18	202110003	Hex socket button head screw	M6X12-GB70_2	10
19	202109028	Hex socket cylinder head screw	M8X16-GB70_1	8
20	201102015	Hex head full threaded bolt	M8X40-GB5783	4
21	615062007	Pallet jack	MS12AC-A1-B2	1
22	410562913	Connecting rod	MS12AC-A1-B3	2
23	410901299	Cover of the Pallet jack	MS12AC-A1-B6	1
24	420680072	Anti-vibration pad	MS12M-A1-B3	4
25	615068019	Support tube assembly	MS12M-A1-B7	2
26	420680064	Rubber pad	MS12M-A1-B9	2
27	410901269	Wheel deflector	MS12M-A1-B10	2
28	410902293	Control unit cover	MS12M-A1-B11	1
29	615068456	Control box	MS12M-A1-B12	1
30	614901482	Mobile base frame assembly	MS12M-A1-B1_1	1
30	320301011	Limit switch	TZ8108	1

13.6 Optional adapters



S/N	Code	Descriptions	Specification	Quantity
1	208109024	Adjustable foot	D80-M20x100	1
2	202205013	Hex socket tight screw	M12x30	1
3	410562011	Pad plate	MS10-A08-B01	1
4	410563381	Support rod	MS10-A08-B02	1



S/N	Code	Descriptions	Specification	Quantity
1	202205013	Hex socket tight screw	M12x30	1
2	410562011	Pad plate	MS10-A08-B01	1
3	410562011	Support rod	MS10-A08-B02	1
4	410563361	Orientation pin	MS10-A08-B03	1
5	410563371	Adjustable screw	MS10-A08-B04	1







The company

**Twin Busch GmbH | Amperestr. 1 | D-64625 Bensheim**

hereby declares that the **Scissor lift table**

**TW SH12-18 | 1.200 kg**  
(EE-MS12)

Serial number:

in these configurations we have placed on the marked complies with the relevant essential health and safety requirements of the following EC-directive(s) in its/their current version(s).

EC-directive(s)

**2006/42/EC**

**machinery**

Applied harmonized standards and regulations

**EN 1570-1:2011+A1:2014**

CE Certificate

**MDC 2159**

date of issue: 24.01.2019  
place of issue: Durham  
technical file no.: CST263145

Certification body

SGS UK Ltd.,  
Unit 12A & 12b, Bowburn South Ind Est,  
Bowburn Durham, DH6 5AD  
Notified Body Appointment No.: 0890

**In the case of improper use, as well as in the case of assembling, modification or changes which are not agreed with us, this declaration will lose its validity.**

Authorized person to compile technical documentation is: Michael Glade (adress as below)

  
  
**TWIN BUSCH GmbH**  
Amperestr. 1 · 64625 Bensheim  
Tel. 06251 / 70585-0 · Fax: 70585-29

Authorized signatory: Michael Glade  
Bensheim, 23.11.2021 Qualitätsmanagement

**Twin Busch GmbH | Amperestr. 1 | D-64625 Bensheim**  
twinbusch.de | E-Mail: info@twinbusch.de | Tel.: +49 (0)6251-70585-0



*You can find more products at:*

***[twinbusch.co.uk](http://twinbusch.co.uk)***

---

**Twin Busch UK LTD**  
Kettering  
Northants NN16 8PS

Tel.: +44 (0) 1536 522 960  
E-Mail: [info@twinbusch.co.uk](mailto:info@twinbusch.co.uk)  
Web: [www.twinbusch.co.uk](http://www.twinbusch.co.uk)

The technical specifications and illustrations provided in the user manual are not binding. Our products are subject to technical changes, so the delivered condition may vary.