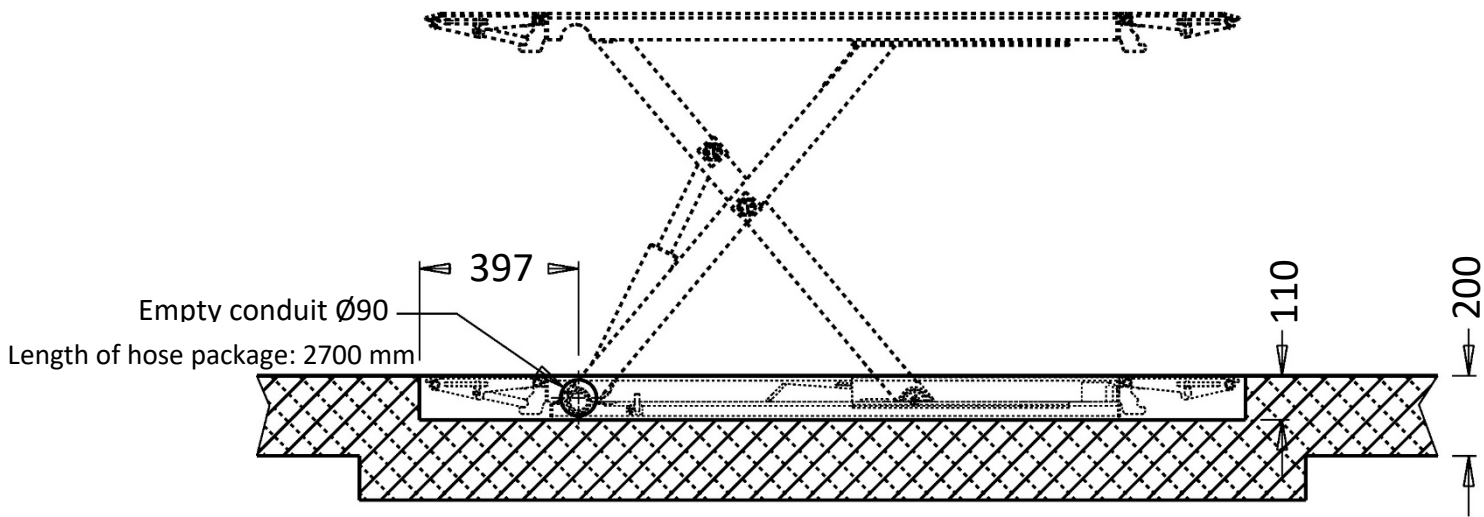


Foot protection bars removed  
Handles on ramps cut off.



Stand: 28.09.2021

Foundation plan  
Scissor lift TWS3-10E  
Recessed installation

Page 1 of 1

Twin Busch GmbH  
Amperestr. 1  
D-64625 Bensheim