

# **TW127P-G**

## **INSTALLATION, OPERATION AND MAINTENANCE MANUAL**



*Always read these operating instructions carefully before operating the lift. Follow the instructions carefully.*

## Table of contents

<b>1. General information</b>	<b>1</b>
<b>2. Identification of the instructions for use</b>	<b>1</b>
<b>3. Technical data</b>	<b>1</b>
<b>4. Modification of the product</b>	<b>1</b>
<b>5. Safety-related information</b>	<b>2</b>
5.1 Safety instructions	2
5.2 Warnings and symbols	3
<b>6. Conformity with the product</b>	<b>4</b>
<b>7. Technical specification</b>	<b>4</b>
7.1 Machine description	4
<b>8. Structure of lifting platform</b>	<b>5</b>
8.1 Before installation	5
8.2 Ground conditions	5
8.3 Assembly instructions	5
8.4 Test points after assembly	9
<b>9. Commissioning</b>	<b>10</b>
9.1 Safety precautions	10
9.2 Lifting and lowering process flow chart	10
9.3 Operating instructions	11
<b>10. Troubleshooting</b>	<b>12</b>
<b>11. Maintenance</b>	<b>13</b>
<b>12. Behavior in the event of an incident</b>	<b>13</b>
<b>13. Appendix</b>	<b>14</b>
13.1 Lifting platform dimensions	14
13.2 Foundation requirements and working area	15
13.3 Circuit diagrams	17
13.4 Detailed drawing and parts description of the lifting platform	21

### Further attachment:

- **EU Declaration of Conformity**

Important Information:

**ASSEMBLY**



You can find the assembly video for this lift on YouTube:  
[www.youtube.com/watch?v=1Cv3fI7YngU](https://www.youtube.com/watch?v=1Cv3fI7YngU)  
or scan the QR code.



**PRODUCT PRESENTATION**



You can find the product presentation video for this lift on YouTube:  
[www.youtube.com/watch?v=qRld6iEa1m8&t=4s](https://www.youtube.com/watch?v=qRld6iEa1m8&t=4s)  
or scan the QR code.



## 24/7 Service Center



Our **24/7 Self-Service Center** is a mobile website designed for self-diagnosis of issues with your Twin Busch lift. Here, we provide an extensive video collection covering a wide range of relevant topics for your Twin Busch lift, from fine-tuning and maintenance to component replacement.

With the **24/7 Self-Service Center**, you have a versatile tool at your disposal to learn how to independently maintain and repair your Twin Busch lift.

To access the site on your mobile device, please visit [twinbusch.com/qr](https://twinbusch.com/qr) or scan the QR code provided alongside.

For Twin Busch lifts shipped from mid-2020 onwards, you'll also find the QR code on a sticker attached to the control box.

## 1. General information

The 1-post parking lift enables several vehicles to be parked in a small space and is suitable for private and commercial applications. It is CE-certified and complies with current safety standards. The TW127P offers space-saving parking. It moves vertically and is equipped with various safety functions such as an emergency stop switch and mechanical safety catches.

## 2. Identification of the instructions for use

Instruction manual **TW127P**

of the Twin Busch GmbH,  
Ampèrestraße 1,  
D-64625 Bensheim

Phone: +49 6251-70585-0  
Telefax: +49 6251-70585-29  
Internet: [www.twinbusch.de](http://www.twinbusch.de)  
Email: [info@twinbusch.de](mailto:info@twinbusch.de)

Twin Busch UK Ltd.  
9, Linnell Way  
Telford Way Industrial Estate  
NN16 8PS, Kettering (Northants)

Phone: +44 (0) 1536 522 960  
Internet: [www.twinbusch.co.uk](http://www.twinbusch.co.uk)  
Email: [info@twinbusch.co.uk](mailto:info@twinbusch.co.uk)

Status: -02, 15.04.2024

File: TW127P-G\_1-Post\_car\_park\_Lift\_Instruction\_manual\_uk\_02\_20240415.pdf

## 3. Technical data

Power supply	230V, 50Hz
Protection	16A (C/sluggish)
Load capacity	2,700 kg
Degree of protection	IP 54
Net weight	1,100 kg
Noise level	< 70 db
Working environment	Working temperature: -15°C to +40°C rel. Humidity: 30 % to 85 %

## 4. Modification of the product

Improper use, modifications, conversions and attachments of the lift and all its components that have not been agreed with the manufacturer are not permitted. The manufacturer accepts no liability for improper installation, operation or overloading. Improper use also invalidates the CE certification and the validity of the certificate. If you require any changes, please contact your dealer or the expert staff at Twin Busch GmbH beforehand.

## 5. Safety-related information

Read the operating instructions carefully before operating the lift. Keep the instructions in a safe place for future reference. Follow the instructions carefully to achieve the best performance from the machine and to avoid damage caused by personal negligence.

Check all connections and components thoroughly for damage. The lift may only be put into operation if it is in a safe operating condition.

### 5.1 Safety instructions

- Recommended for indoor use only. Do not expose the lift to rain, snow or excessive moisture.
- Do not install the lift on an asphalt surface.
- Read and understand the safety instructions before operating the lift.
- Do not leave the control unit under any circumstances when the lift is in motion.
- Keep hands and feet away from moving parts. Pay particular attention to your feet when lowering.
- The lifting platform may only be operated by trained personnel.
- Uninvolved persons are not permitted in the vicinity of the lifting platform.
- Wear suitable work clothing.
- The area around the lifting platform should always be kept free of obstructions.
- The lift is designed for lifting the entire vehicle, which does not exceed the maximum authorised weight.
- Always ensure that all safety precautions are taken before working near or under the vehicle.

**Never remove safety-relevant components from the lift. Do not use the lift if safety-relevant components are missing or damaged.**

- Do not under any circumstances move the vehicle or remove heavy objects from the vehicle that could cause significant weight differences while the vehicle is on the lift.
- Always check the manoeuvrability of the lift to guarantee its performance. Ensure regular maintenance. If an irregularity occurs, stop working with the lift immediately and contact your dealer.
- Lower the lift completely when it is not in use. Do not forget to disconnect the power supply.
- If you do not use the lift for a longer period of time:
  - a. Disconnect the lift from the power source
  - b. Empty the oil tank
  - c. Lubricate the moving parts with hydraulic oil

**Caution:** To protect the environment, dispose of the oil that is no longer used in an appropriate manner.

**WARNING: The warnings, cautions and instructions in this manual cannot cover all possible conditions and situations that may occur. The operator must understand that common sense and caution are factors that cannot be built into this product, but must be provided by the operator.**

### 5.2 Warnings and symbols

All warnings are clearly visible on the lift to ensure that the user operates the device in a safe and appropriate manner.

The warning signs must be kept clean and replaced if they are damaged or missing. Please read the signs carefully and memorise their meaning for future use.



Before use, instructions and safety instructions read carefully!



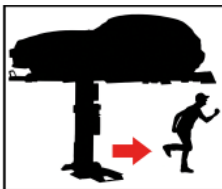
The lift may only be operated by qualified personnel!



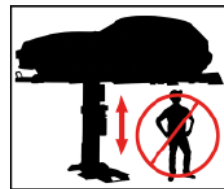
Repairs and maintenance may only be carried out by qualified personnel, never on safety equipment except when installing the lift!



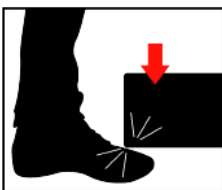
Only specialised personnel are permitted in the vicinity of the lifting platform!



Escape routes always Keep clear!



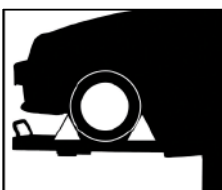
Remaining under the lifting platform (when lifting or lowering) is prohibited!



Pay attention to the lift lowering on to your feet! Crushing hazard!



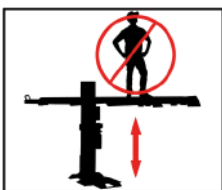
The stay of persons raising or lowering!



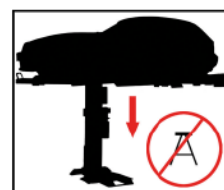
Vehicle against secure against rolling away!



Use only on level ground!



Do not stand on the lift. (when lifting or lowering)!



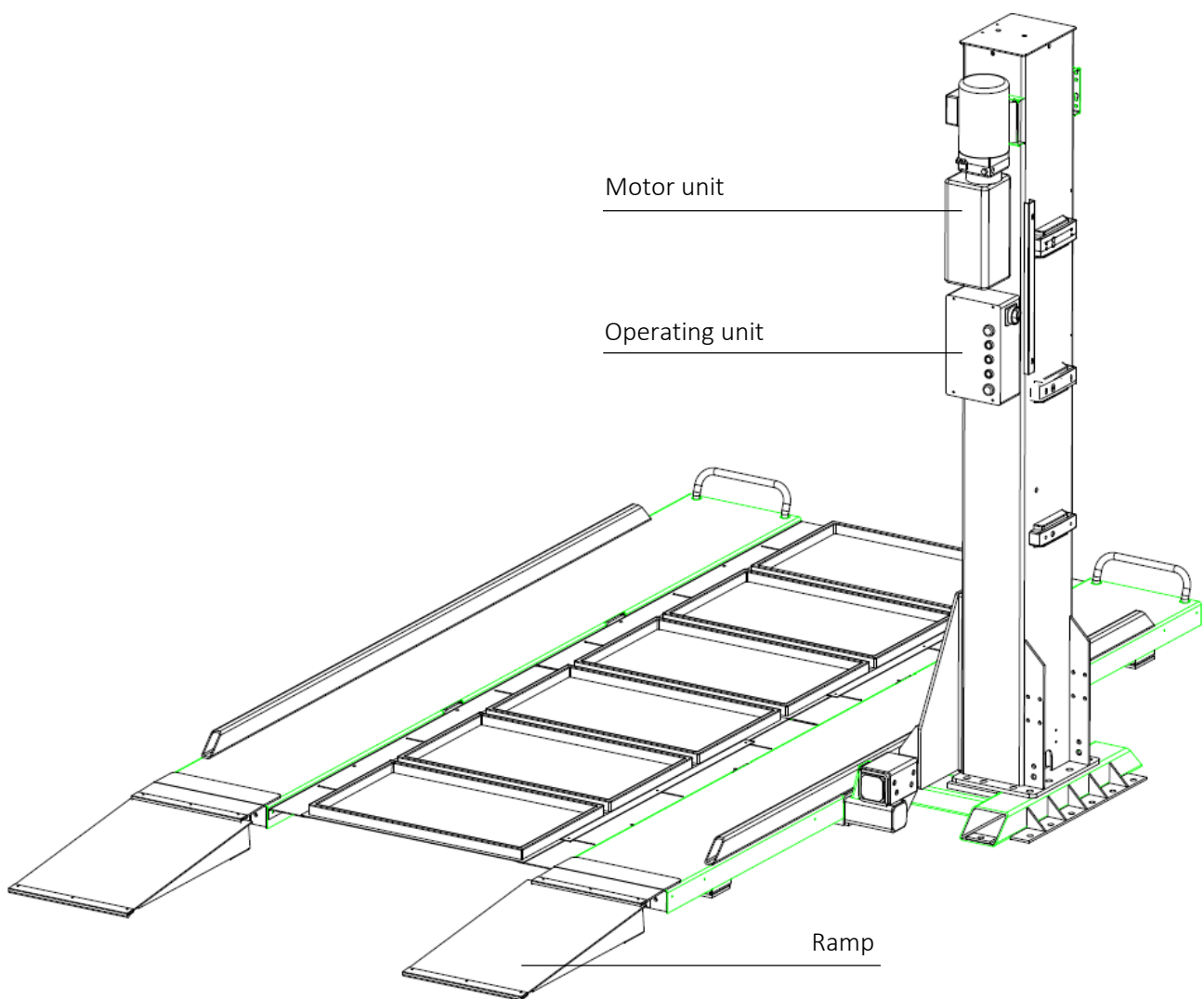
No objects under the lifting platform when lowering!

## 6. Conformity with the product

The TW 127P-G 1-post lift is CE-certified and is compliant with the Machinery Directive 2006/42/EC, fulfilling the standards EN 1493:2022, EN 60204-1:2018 (look at: EU Declaration of Conformity, at the end of the user manual).

## 7. Technical specification

### 7.1 Machine description





## 8. Structure of lifting platform

### 8.1 Before installation

Tools and equipment required:

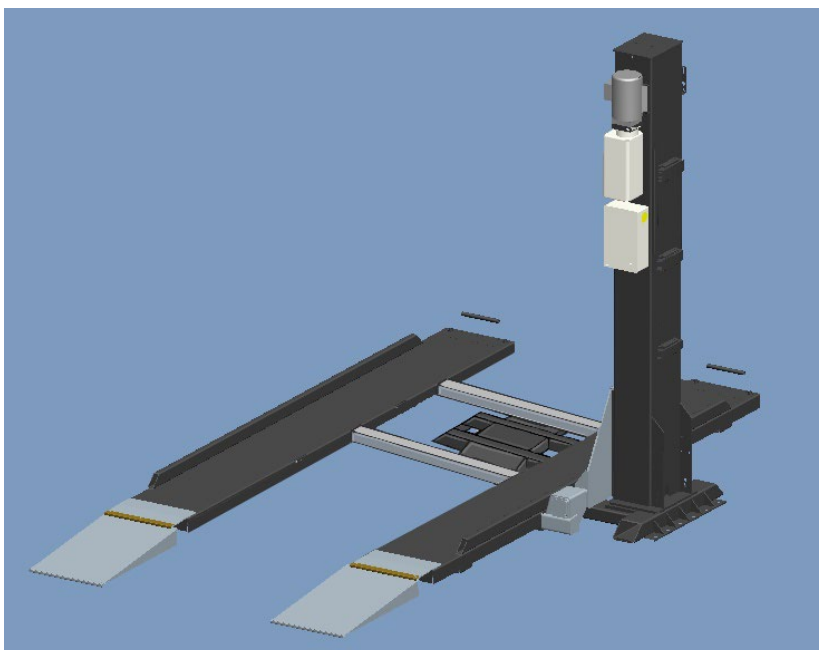
- Metric spanners and socket spanner set with ratchet
- Adjustable spanner
- Small crowbar or large screwdriver to adjust the screw holes
- Concrete percussion drill with a new concrete drill head
- Pliers
- Slotted screwdriver and Phillips screwdriver
- Hydraulic jack on wheels or pulley block (for positioning parts)
- Socket and extension
- 12 mm hexagon socket
- Tin snips
- Hydraulic oil - HLP 32 or equivalent

### 8.2 Ground conditions

The lifting platform must be installed on a solid foundation with a compressive strength of more than 3 kg/mm<sup>2</sup>, a flatness of less than 5 mm and a minimum thickness of 200 mm. Detailed information can also be found in the corresponding foundation plan on our homepage at [www.twinbusch.co.uk](http://www.twinbusch.co.uk).

Note: If a new concrete floor is to be poured, it must cure for at least 28 days until a lifting platform can be installed.

### 8.3 Assembly instructions



- 1) Remove the packaging and take out the box with the accessories and cover plates. Read and understand the operating instructions before proceeding.
- 2) The base plate must be laid first. Place it on the garage floor as close as possible to its final position. Once you have laid the base plate correctly, you must anchor it to the floor. Or it can be anchored after everything is finished. (Fig. 3-A, B, C).

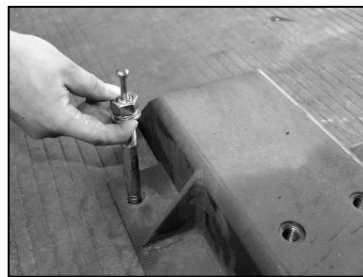
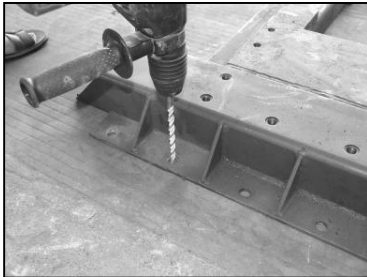


Figure: 3-A, B, C Anchoring the base plate

- 3) Das The next larger component is the lifting column. The carrier unit, the hydraulic cylinder, the chain assembly and the safety cable are already attached to it.
- 4) Lift the column from the horizontal position using a forklift truck or a motorised winch. Lift the column vertically high enough so that it is above the base plate and move it over the lines into the mounting holes. The column can be moved more easily if it floats vertically to the base plate. If possible, do not remove the round sling from the column until the fastening screws are screwed to the base plate. (Fig. 4-A, B, C, D)

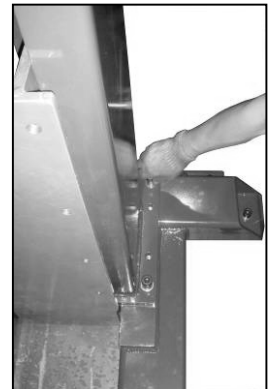
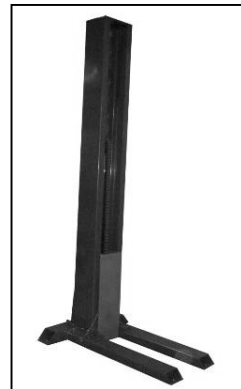
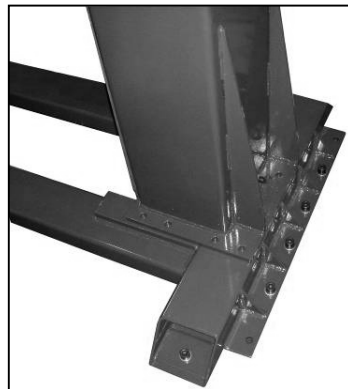


Figure: 4-A, B, C, D

- 5) Once you have positioned the column, screw it to the base plate. You will need a spanner or ratchet to tighten the screws.
- 6) Damit To ensure that the column is vertical when vehicles are parked on it, a tilt angle of between 0.5° and 1.0° should be set using shims at the base of the column (Fig. 5-A, B, C).

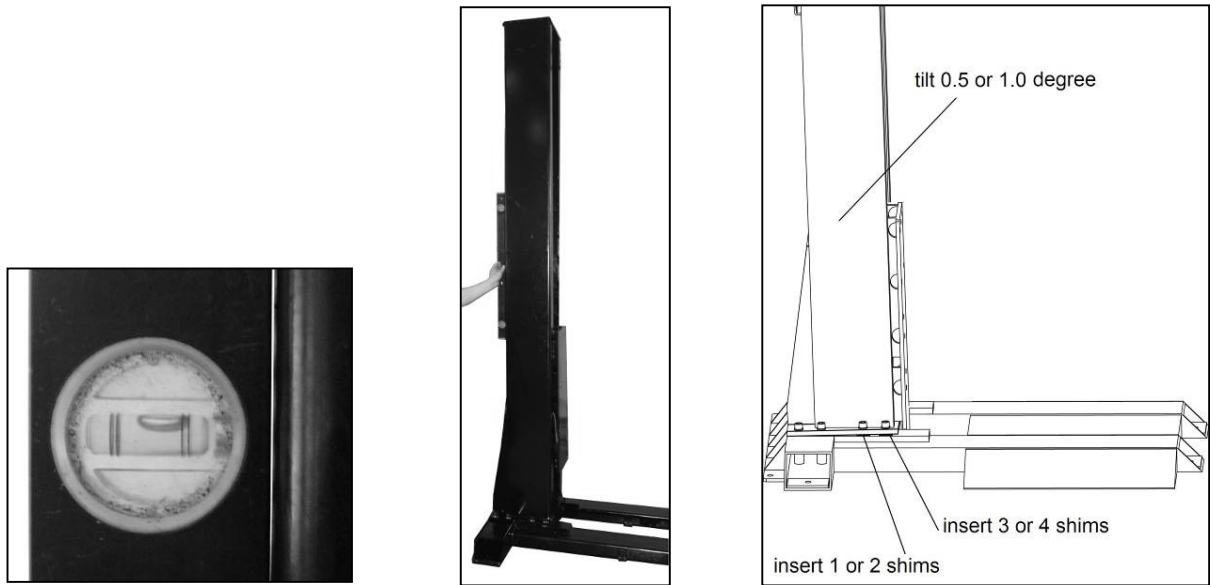


Figure: 5-A, B, C, D Setting up the column (2)

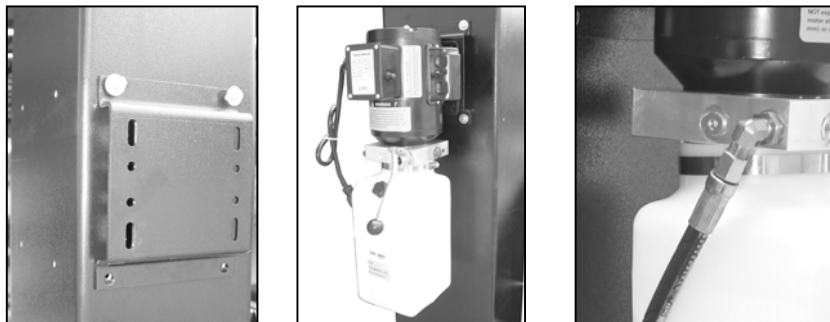


Abbildung: 6-A, B, C Pump & hose

- 7) Fit the motorised pump to the rear of the column. Fasten it with screws and nuts. Connect the hose of the cylinder to the motor pump. (Fig. 6-A, B, C) The hose has different connectors at both ends. Make sure that the end of the hose fits the cylinder. There is an O-ring at the end of the cylinder hose. Ensure that the fastenings are firmly tightened.
- 8) Fill the tank with hydraulic oil (approx. 6 litres). HLP32, non-foaming anti-wear hydraulic oil, is recommended.
- 9) Now you need to connect the motorised pump to the power supply correctly. Your pump has a short cable to the motor. As the cable is not very long and there are many different connection options, you may need a suitable extension cable and/or you may need to install a plug at the end of the cable. If you are not sure about the cable size and the appropriate plug, ask an electrician. The direction of motor rotation must correspond to the information on the motor.

- 10) Next, you must fasten the frame of the lift to the carrier with screws. (Fig. 8-A, B) A hydraulic jack or pulley block is well suited for levelling with the holes. Then tighten all the screws on the frame.

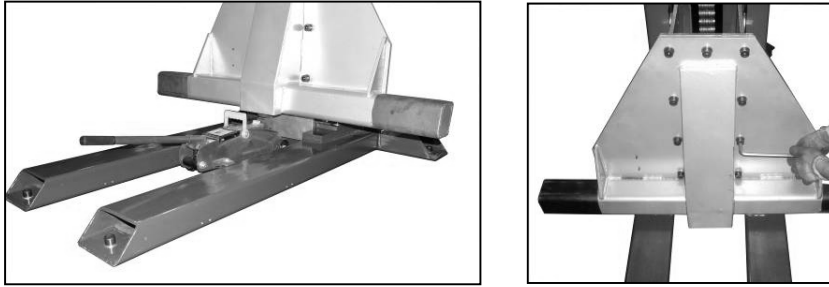


Figure: 8-A, B Lifting carriage

- 11) Then position the two stabilisers on the lifting carriage (Fig. 9-A). To ensure that the platforms become horizontal when cars are parked on them, you must carry out the following presetting of the arms: First lift the rear ends of the arms to approx. 100 mm using a trolley jack (Fig. 9-B, C). Then tighten the two screws at the rear and the front screw (Fig. 9-D & E). Then tighten the lock nut in the correct position.

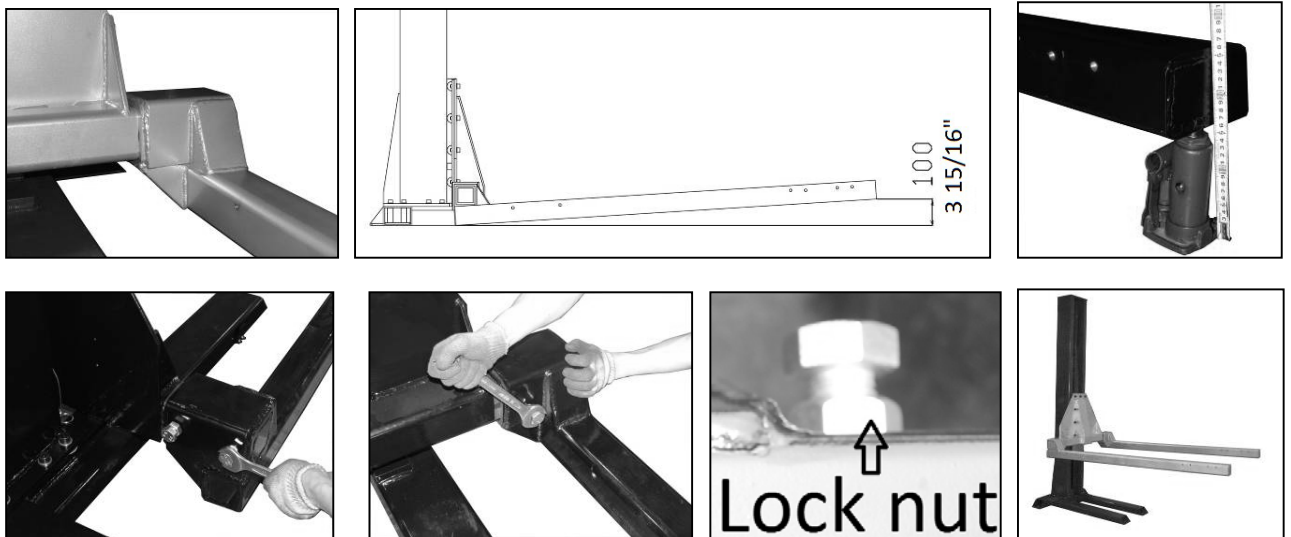


Abbildung: 9-A, B, C, D, E, F, G Fitting the bracket

- 12) Fit the runways to the stabilisers. As these are difficult to move, you should use a suitable lifting tool for support. Position the track platforms according to the fixing holes on the stabiliser arms. Then screw the carriageway to the stabiliser arms using the adjusting and clamping screws. (Fig. 10-A, B, C)

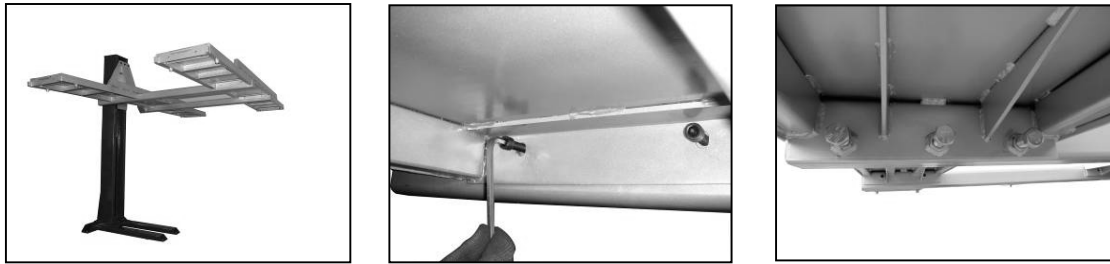


Figure: 10-A, B, C Fastening the carriageway

- 13) Attach the roll-off protection to the end of the carriageway (Fig. 11). Screw the fastening chip of the drive-over ramp to the base plate. Then attach the drive-over ramps and the centre bar. (Fig. 12, 13)

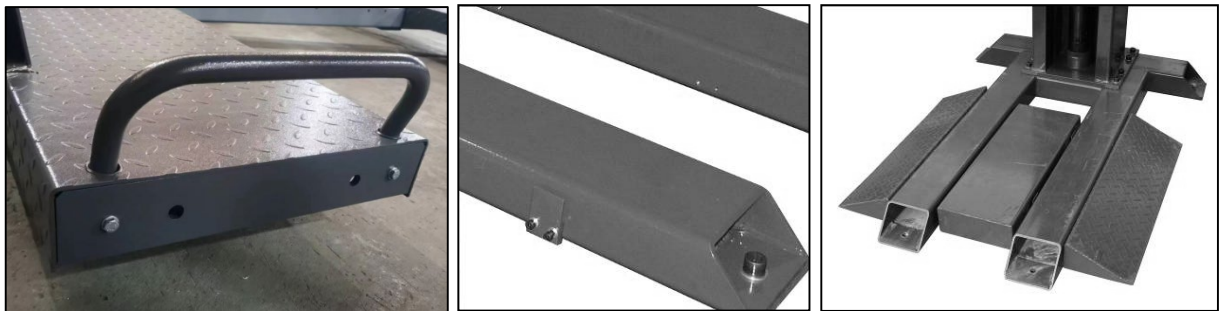


Figure: 11, 12, 13 Roll-off protection and drive-over ramp

- 14) After installation is complete and before using the system for the first time, raise the lift about 1 metre without load and lower it back to the ground. Do this two or three times. Then top up the hydraulic oil reservoir if necessary. This ensures that the hydraulic oil is distributed throughout the system.

#### 8.4 Test points after assembly

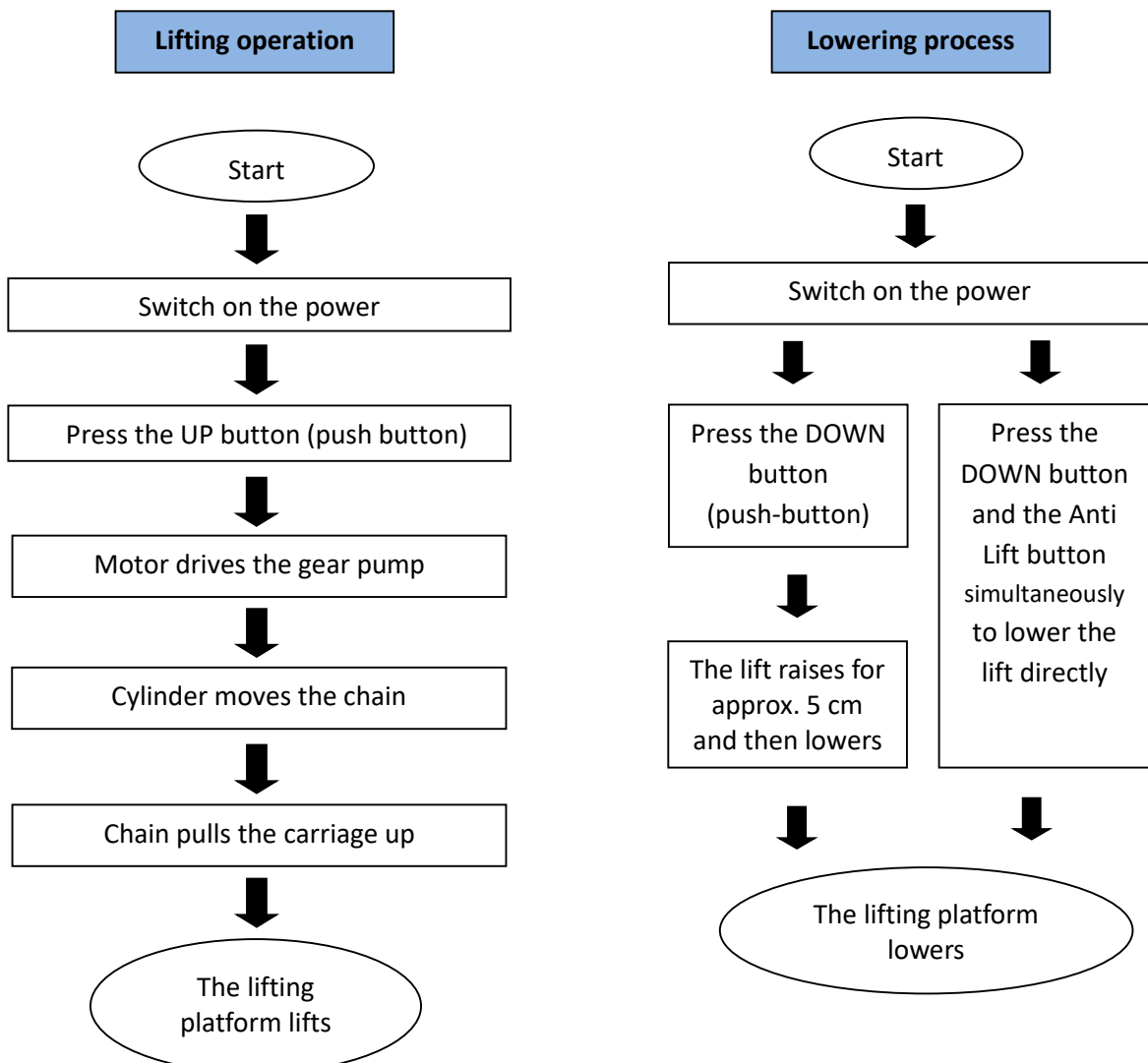
S/N	Check	YES	NO
1	Is the oil hose connected correctly?		
2	Are the electrical connections correct?		
3	Are the joints all screwed tight?		
4	Are all parts that need greasing greased?		

## 9. Commissioning

### 9.1 Safety precautions

- a) If the safety devices are defective or show any abnormalities, the lifting platform must not be operated under any circumstances!
- b) Check all connections of the hydraulic lines for tight fit and proper functioning. If there are no leaks, a lifting operation can be started.
- c) Only the operator should be near the lift during a lifting or lowering operation. Always ensure that there are no persons in the danger zone.
- d) When the desired lifting height has been reached and the safety catches are engaged, switch off the power supply to the lifting platform before starting work in order to avoid incidents caused by unintentional operation by other persons.
- e) Make sure that the safety catches are engaged before starting work on or under a vehicle. No persons should be in the working area of the lift during the lifting and lowering process.

### 9.2 Lifting and lowering process flow chart



## 9.3 Operating instructions

### 9.3.1. Lifting operation

1. **Read and understand the operating instructions before starting work.**
2. Connect the power supply and turn the main switch to ON.
3. Park the vehicle with the vehicle's center of gravity centered between the two pillars.
4. The lift is very easy to operate. First switch on the power supply. Then press and hold the Up button on the control unit to raise the lift. The motor drives an internal pump that presses the hydraulic oil into the lift cylinder, which in turn extends the roller chains and raises the lift.
5. When the lift is raised, an internal safety catch moves over the steel stops (rectangular blocks protruding from the rear of the lift column) and you will hear a "click" at each locking position. The sound is normal and indicates that the safety catch has moved correctly over the locking mechanism. Release the Up button when the lift is in the desired position. For safety reasons, it is recommended to lock the lift each time by pressing the Lock button in the safety catches.

### 9.3.2. Lowering process

1. Connect the power supply and switch the main switch to ON.
2. Press the DOWN button on the control unit. The lifting carriages of the lifting platform will now raise by about 5 cm to release the locking mechanism of the safety catches. The electromagnetic release valve then opens and the lifting carriages lower.
3. As soon as the lifting carriages have reached the lowest position, the support arms can be swivelled out from under the vehicle.
4. The vehicle can now be removed.

### 9.3.3. Lifting vehicles

Drive the vehicle over the ramp to the centre of the platform. Apply the handbrake. Press the UP button to raise the vehicle. Raise the vehicle to the desired position.

**Make sure that the vehicle does not collide with the ceiling! Also pay attention to objects on the ceiling, such as lights, pipes or roller garage doors.**

## 10. Troubleshooting

**Attention:** Do not hesitate to contact the expert staff of Twin Busch GmbH if you are unable to rectify an error yourself. We will be happy to assist you in rectifying the problem. In this case, document the error and send us pictures and a precise description of the error so that we can identify and remedy the cause as quickly as possible. The following table lists possible errors, their cause and the corresponding troubleshooting for quicker identification and self-remedy.

PROBLEMS	CAUSE	SOLUTION
Unusual noise.	Wear on the inside of the pillars.	Grease the inside of the pillars.
	Contamination in the columns.	Remove the dirt.
The motor cannot be started, nor does the lift move up.	The cable connections are loose.	Check the cables and reconnect them.
	The motor is defective.	Replace it.
	The limit switch is defective/damaged or the cable connection is loose.	Reconnect the cables or replace the limit switch.
Motor runs, but does not raise the lift.	The motor is running backwards/in the wrong direction of rotation.	Check the cable connection.
	The pressure relief valve is loose or dirty.	Clean or screw it tight.
	The gear pump is defective.	Replace them.
	The oil level is too low.	Top up with oil.
	The oil hose has come loose or is torn off.	Fasten or replace it.
	The damping valve is loose or jammed/blocked.	Clean or fasten it.
The beams lower slowly after they have been raised.	The oil hose is leaking.	Check or replace it.
	The oil cylinder/piston is leaking.	Replace the seal.
	The directional valve is leaking.	Clean or replace it.
	The pressure relief valve is leaking.	Clean or replace it.
	Manual or electric drain valve is leaking/dirty.	Clean or replace it.
Lifting too slowly.	The oil filter is dirty or jammed.	Clean or replace it.
	Oil level is too low.	Top up with oil.
	The pressure relief valve is installed incorrectly.	Mount it correctly.
	The hydraulic oil is too hot. (over 45°C)	Change the oil.
	The cylinder seal is worn.	Replace the seal.
Lowering too slowly.	The throttle valve is jammed/dirty.	Clean or replace it.
	The hydraulic oil is contaminated.	Change the oil.
	The drain valve is blocked.	Clean it.
	The oil hose is damaged/kinked.	Replace it.
The steel cable is worn.	Not greased during installation or it is worn.	Replace it.



## 11. Maintenance

Regular maintenance of your lift will ensure a long and safe use of the lift. The following are suggestions for the maintenance intervals and the activities to be carried out. How often you service your lift depends on the environmental conditions, the degree of contamination and, of course, the stress and load on the lift.

## 12. Behavior in the event of an incident

If the lift malfunctions, simple faults may be the cause. Use the following list for troubleshooting \*).

If the cause of the error is not listed or cannot be found, please contact the expert Twin Busch GmbH team.

***Never attempt to carry out repairs yourself, especially on safety devices or electrical system parts.***

\*) Points depending on the design and type of the lifting platform





**Work on electrical systems only by qualified electricians!**

**Problem: Lifting platform can neither be raised nor lowered.**

### Possible causes

- No power supply available.
- Power supply interrupted.
- Main switch not switched on or defective.
- Emergency stop pressed or defective.
- Fuse in power connection has blown or is defective.
- Fuse in the switch box has blown or is defective.

### Remedy



- Check power supply.
- Check power supply line.
- Check main switch. 
- Unlock emergency stop, check. 
- Check fuse.
- Check fuse.

**Problem: Lifting platform cannot be raised.**

### Possible causes

- With three-phase current: one phase is missing.
- With three-phase current: Direction of rotation of motor reversed.
- Oil pump defective.
- Emergency drain open.
- Motor is defective.
- Overload.

### Remedy

- Check power supply. 
- Check direction of rotation, change phase if necessary. 
- Notify Twin Busch Service.
- Close emergency release valve.
- Notify Twin Busch Service.
- Overload valve has opened, reduce load.

**Problem: Lift cannot be lowered.**

### Possible causes

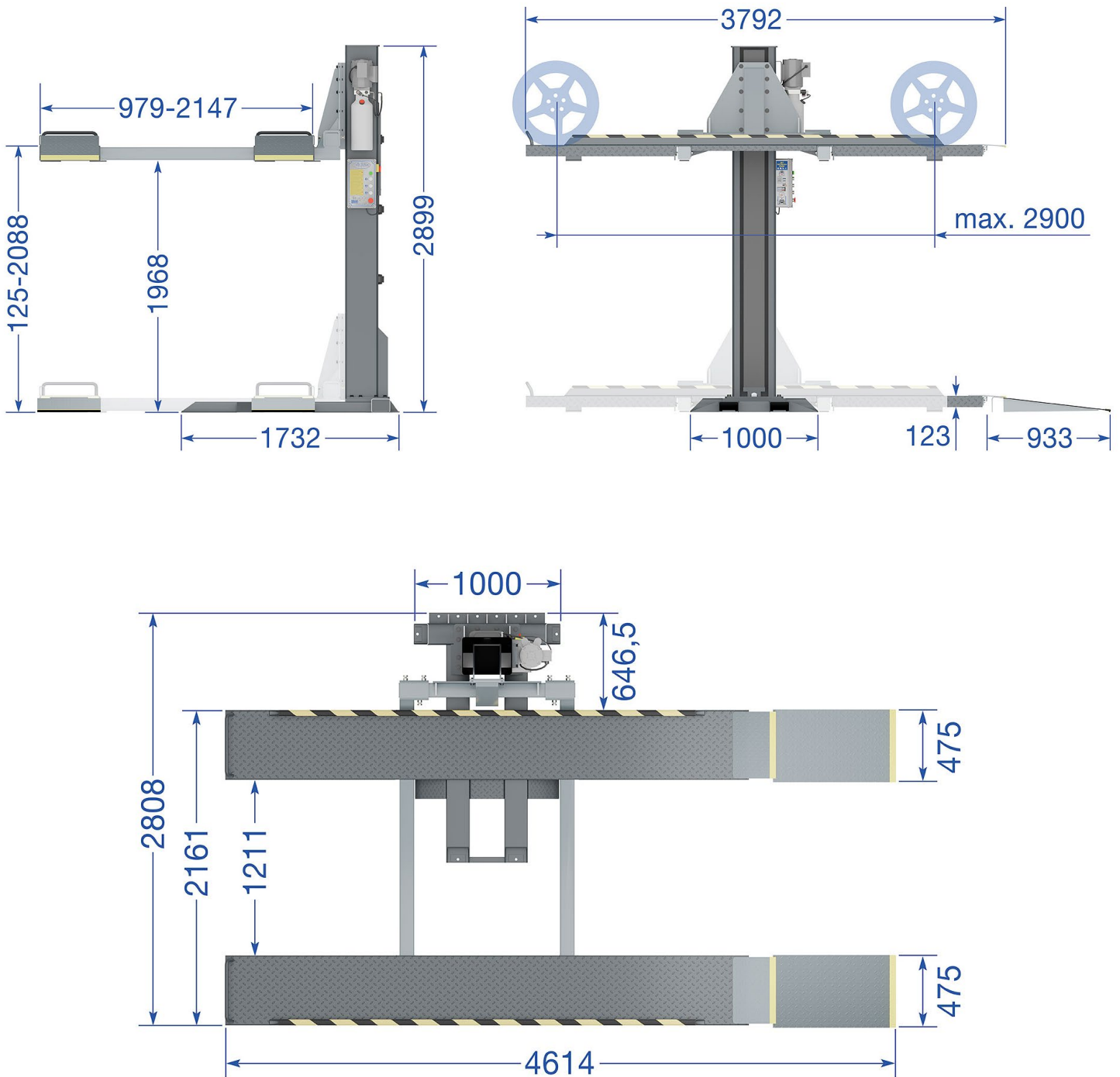
- Lifting platform sits in safety catches.
- Lifting platform has moved into limit switch.
- Motor is defective.
- Lifting platform has been blocked during lowering.

### Remedy

- Raise platform a little, pull detents, lower.
- If necessary, loosen limit switch, raise 1 cm and lower.
- Open safety latch and lift over.
- Lower emergency drain.
- Raise the lifting platform slightly again and remove the obstacle.

13. Appendix

13.1 Lifting platform dimensions



### 13.2 Foundation requirements and working area

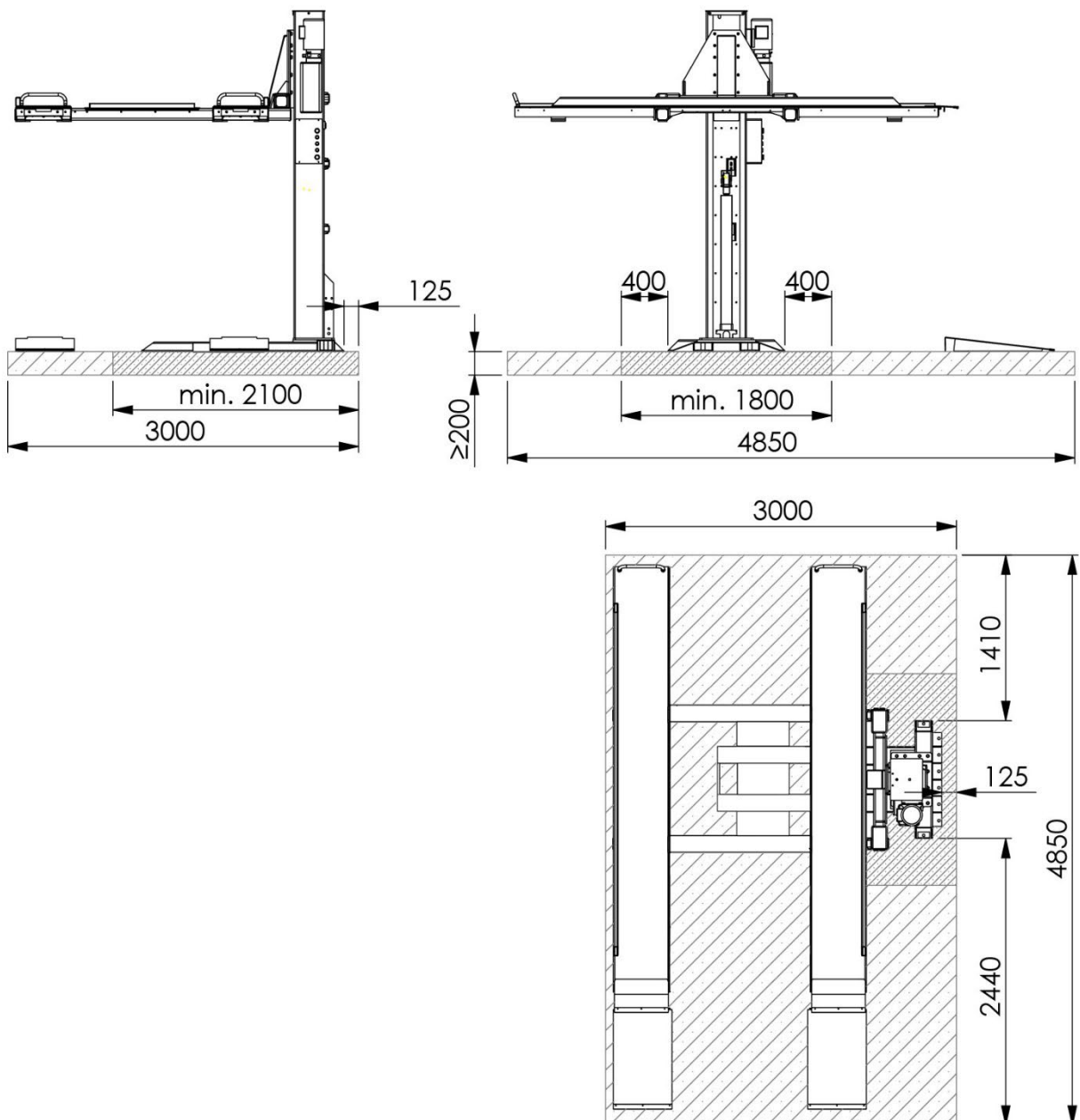
#### Requirements for the concrete:

- Concrete C20/25 according to DIN 1045-2 (previous designation: DIN 1045 concrete B25).
- The floor must be level and have a flatness of less than 5 mm/m.
- Newly poured concrete must cure for at least 28 days.

#### Foundation dimensions:

- Ideally, the entire hall floor should be made of concrete C20/25 with a thickness of at least 200 mm.

#### Minimum dimensions of the foundation slab (lifting platform placed centrally):



**Other requirements:**

- The surrounding soil must be suitable for the load, e.g. no sandy soils, etc.
- Reinforcements in the concrete are not mandatory for proper use of the lifting platform, but are recommended.
- In case of doubt, the foundation should be determined and checked by a structural engineer.

**For soil exposed to frost, note the following:**

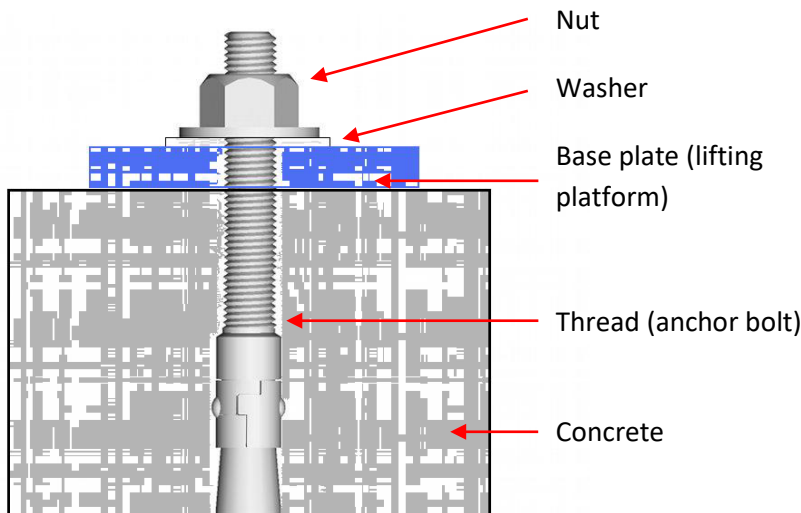
For frost exposure, the concrete must comply with exposure class XF4, as dripping de-icing agent cannot be ruled out.

This results in the following minimum requirements for the concrete when exposed to frost:

Exposure class:	XF4
Maximum w/c:	0,45
Minimum compressive strength:	C30/37 (instead of C20/25)
Minimum cement content:	340 kg/m <sup>3</sup>
Minimum air void content:	4.0 %

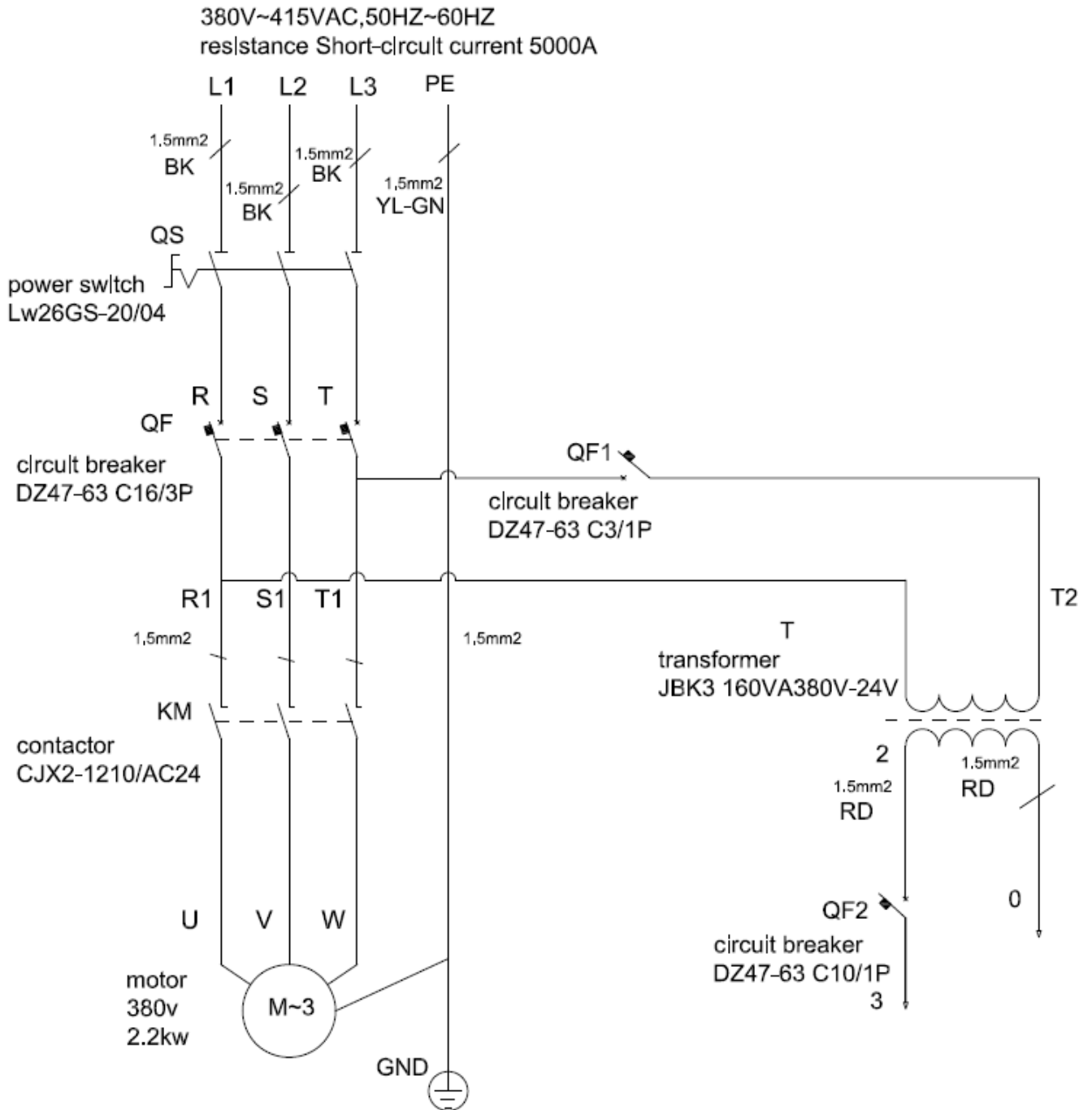
It must be noted, however, that the lifts are not designed for outdoor use. The control box is IP54, but the rest of the electrics, motors and limit switches are IP44 at most.

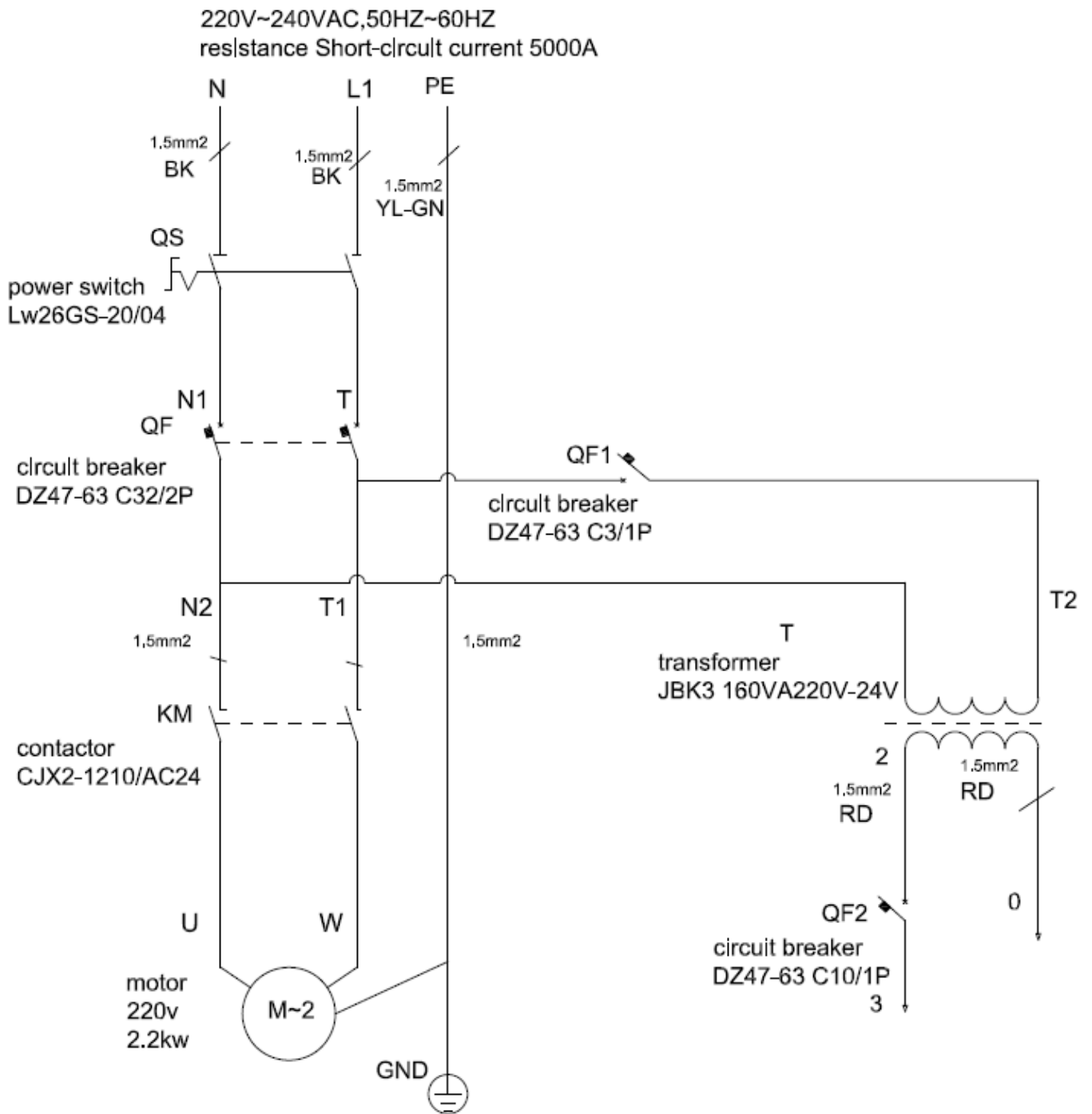
**Anchor bolt fastening**

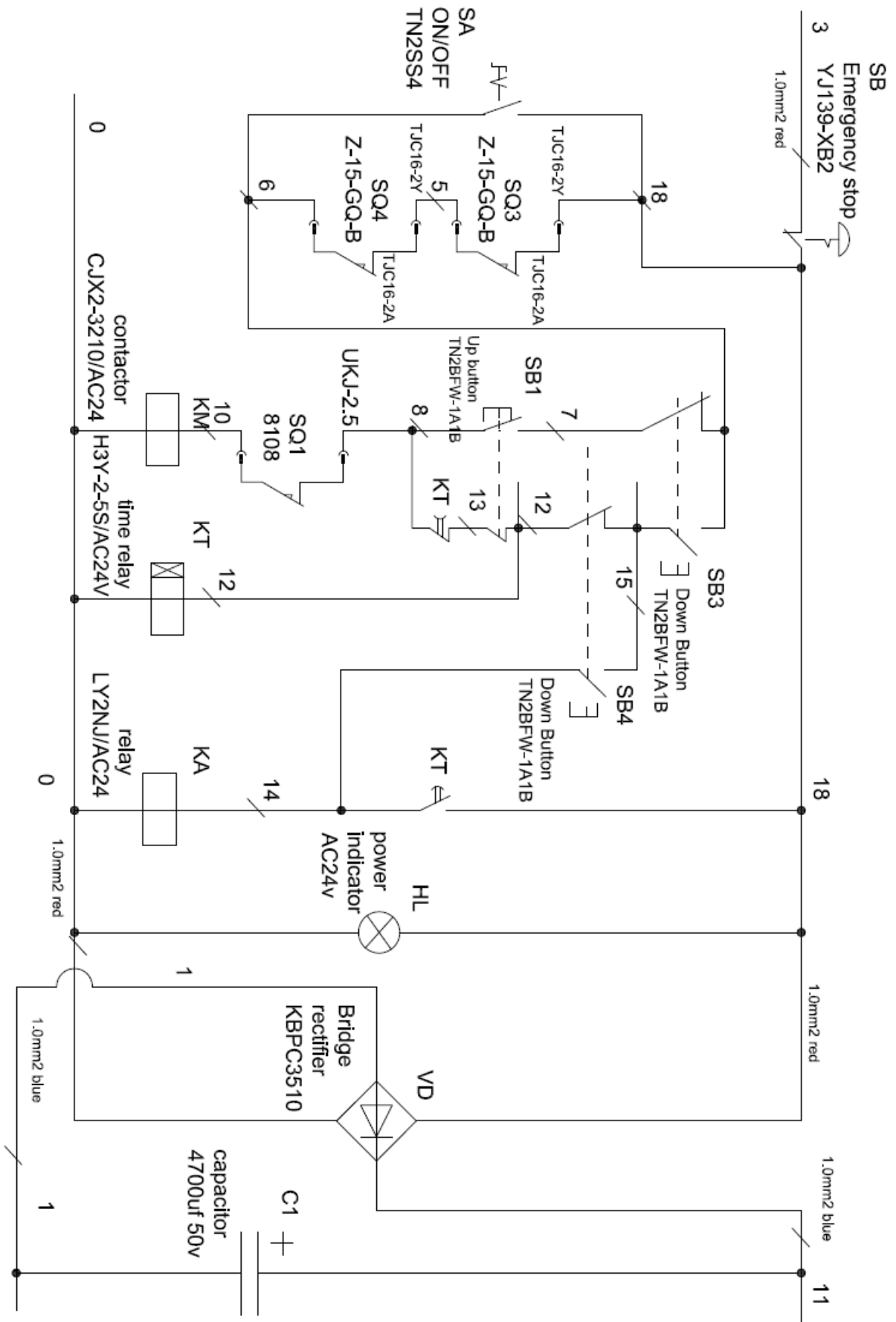


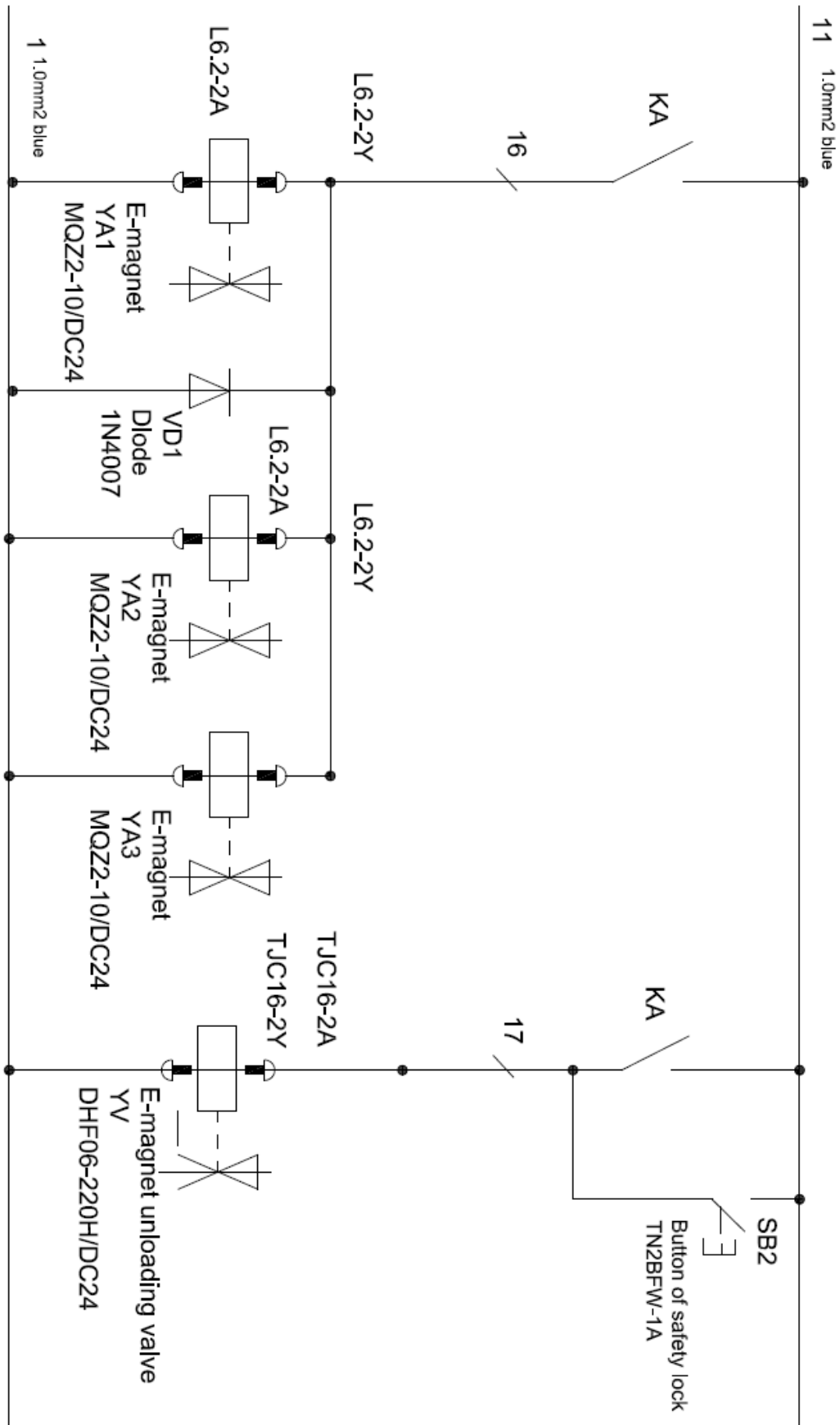
Tightening torque of the anchor bolts  
is: 100 Nm (for M16)

13.3 Circuit diagrams



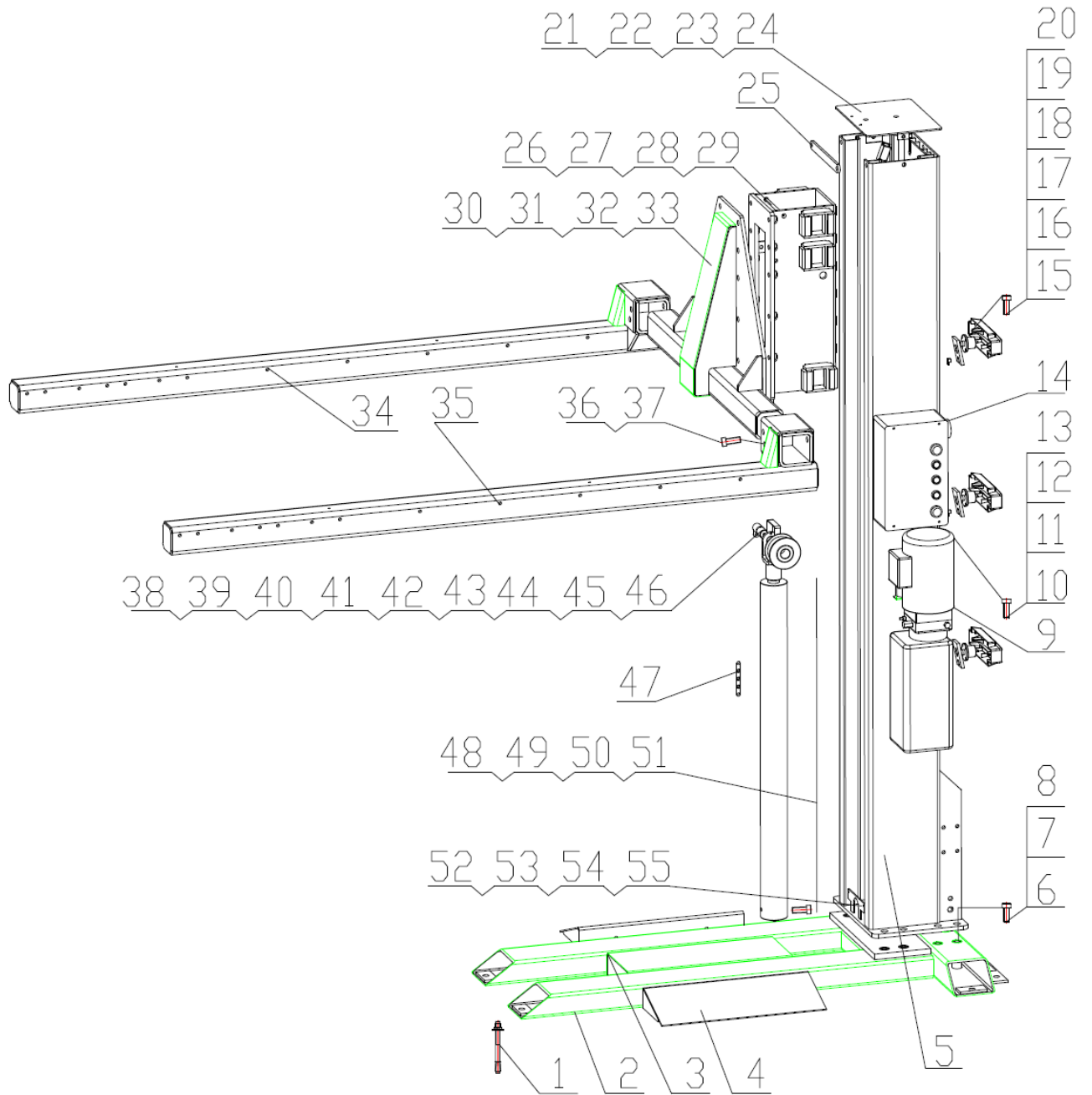






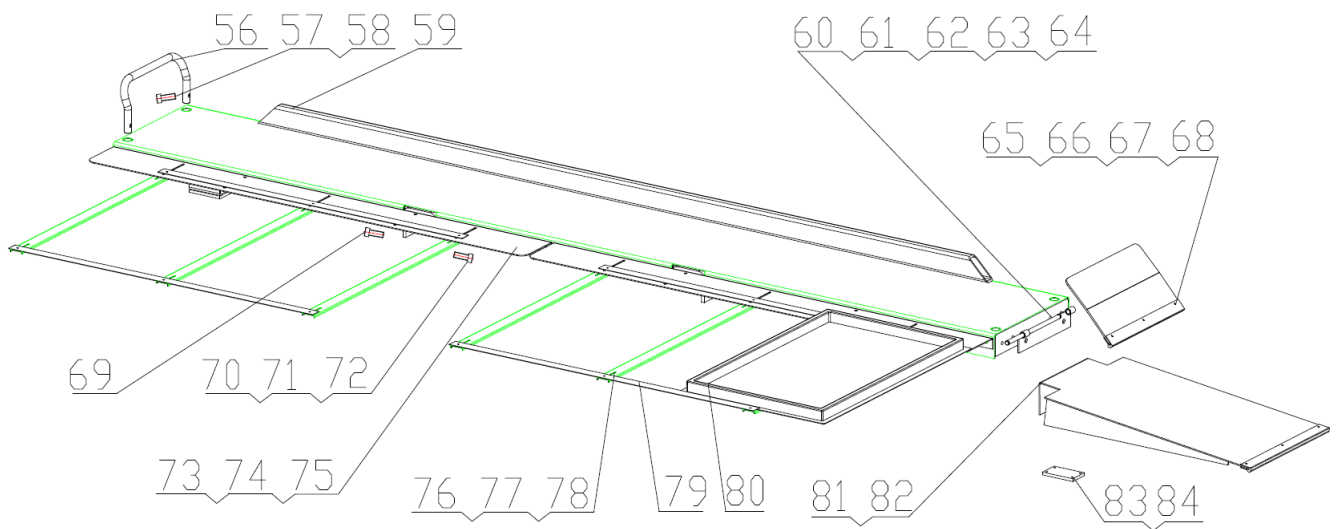


13.4 Detailed drawing and parts description of the lifting platform



S/N	Material	Name	Drawing	Quantity	Ownership	Note
1		Spray anchor M16*180		10		
2		Welding the base plate	FL-812FMP-A1-B1	1		
3		Welding of the centre cover plate	FL-812FMP-A1-B2	1		
4		Welding the side ramp plate	FL-812FMP-A1-B3	2		
5		Welding of the single column	FL-812FMP-A2-B1	1		
6		Outer hexagon head screw M20*5012.9 class)		10		
7		Flat washer 20	GB/T95-2000	10		
8		Spring washer 20	GB/T93-2000	10		
9		Power supply unit		1		
10		Solid screw with hexagon head	GB/T5781-2000	4		
11		Flat washer 8	GB/T95-2000	4		
12		Spring washer 8	GB/T93-2000	4		
13		Nut M8		4		
14		Control unit		1		
15		Positioning block	FL-8224E-A1-B3	3		
16		Safety locking plate	FL-8224E-A1-B2	3		
17		Phillips screw M6*16	GB/T818-2000	3		
18		Phillips screw M5*10	GB/T818-2000	18		
19		Electromagnet MQZ2-10	FL-8224E-A1-B4	3		
20		Protective cover for the	FL-8224E-A1-B5	3		
21		Welding of the upper cover plate	FL-812E-A1-B2	1		
22		Hexagon socket screw M12*20	GB/T70.1-2000	5		
23		Flat washer 12	GB/T95-2000	5		
24		Spring washer 12	GB/T93-2000	5		
25		Support plate for column	FL-812E-A2-B4	1		
26		Welding of the carrier	FL-812FEP-A11-B1	1		
27		Slider 70*36*30	FL-812FMP-A11-B2	12		
28		Bracket	FL-8225E-A3-B3	1		
29		Phillips screw M6*16	GB/T818-2000	2		
30		External attachment of the carrier	FL-812FMP-A3	1		
31		Outer hexagon head screw M16*3512.9 class)		10		
32		Flat washer 16	GB/T95-2000	10		
33		Spring washer 16	GB/T93-2000	10		
34		Support clamp 1	FL-812FEP-A4	1		
35		Support clamp 2	FL-812FEP-A4	1		
36		Outer hexagon head screw M20*45		6		
37		Nut M20		6		
38		Oil cylinder 80*1015		1		
39		Welding the 6T sprocket clamp	FL-8226E-A4-B2	1		
40		6T Sprocket	FL-8226E-A4-B3	1		
41		Welding the 6T sprocket clamp shaft	FL-8226E-A4-B4	1		
42		6T U-shaped trough panel	FL-8226E-A4-B5	1		
43		Oil-free bearing 3060		1		
44		Circlip for shaft 30		1		






45		Pressurised injection oil cup 8		1		
46		Phillips screw M6*10		3		
47		Chain	LH1266-135	1		
48		Combination joint 75		1		
49		Angled joint (with 1/4 flat nut)		1		
50		Oil line 2265		1		
51		Short oil line 500		1		
52		Cover for column 2660		1		
53		Cover bar	FL-8224-A13	2		
54		Nut M6		4		
55		Phillips screw M6*10		2		



S/N	Material	Name	Drawing	Quantity	Ownership	Note
56		Roll-off protective hose	FL-812FMP-A8	2		
57		Outer hexagon head screw M8*55		4		
58		Self-locking nut M8		4		
59		Track plate	FL-812FEP-A5	2		
60		Welding the connecting plate	FL-812FEP-A6-B1	2		
61		Outer hexagon head screw M14*40		4		
62		Nut M14		4		
63		Shaft for ramp 1	FL-8448P-A22-B3	2		
64		Circlip for shaft 15		4		
65		Welding the ramp	FL-812FEP-A6-B2	2		
66		Ramp slider 460	FL-8803-A40-B3	2		
67		Phillips screw M5*18	GB/T818-2000	12		
68		Self-locking nut M5		12		
69		Outer hexagon head screw M16*40		12		
70		Outer hexagon head screw M12*35		8		
71		Large washer 12		8		
72		Spring washer 12		8		

73		Support plate	FL-812FMP-A10	4		
74		Phillips screw M6*10	GB/T818-2000	20		
75		Flat washer 6	GB/T95-2000	20		
76		Support trough plate	FL-812FMP-A12	6		
77		Phillips screw M6*16	GB/T818-2000	12		
78		Self-locking nut M6		12		
79		Pressure plate	FL-812FMP-A13	4		
80		Oil pan 940*600*40		6		
81		Welding the ramp	FL-8448P-A8-B1	2		
82		Ramp slide 500	FL-8448P-A5-B16	2		
83		Arm rubber	FL-8224-A7-B6	4		
84		Phillips screw M6*16	GB/T818-2000	16		

S/N	Material	Name	Spec.	Quantity	Picture	Note
1		Mains switch	LW26GS-20/04	1		
2		Button	Y090-11BN	1		
3		Current display	AD17-22G-AC24	1		
4		Transformer	JBK3-160VA380V-24V JBK3-160VA220V-24V	1		
5		AC contact	CJX2-1210/AC24	1		
6		Fuse	DZ47-63 C16/3P DZ47-63 C32/2P	1		
7		Fuse	DZ47-63 C3/1P	1		
9		Border counter	ME8108	1		
11		Emergency stop	Y090-11ZS/red	1		
12		Bridge rectifier	KBPC5A-35A	1		
13		Capacitor	4700UF/50A	1		

S/N	Material	Name	Spec.	Quantity	Picture	Note
14		Relay	LY2NJ/AC24	1		
15		Relay holder	PTF-08A	1		
16		Time relay	ST6PA-5S/AC24V	1		
17		Timer relay holder	PYF-08AE	1		
18		Control unit	260*460*135	1		





The company

**Twin Busch GmbH | Amperestr. 1 | D-64625 Bensheim**

hereby declares that the **1-post vehicle parc lift**

**TW127P | 2700 kg**

Serial number:

in these configurations we have placed on the marked complies with the relevant essential health and safety requirements of the following EC-directive(s) in its/their current version(s).

EC-directive(s)

**2006/42/EC**

**Machinery**

Applied harmonized standards and regulations

**EN 1493:2022**

**Vehicle Lifts**

**EN 60204-1:2018**

**Safety of Machinery – Electrical Equipment of Machines**

CE Certificate

**N8MA 087411 0077 Rev. 00**

date of issue: 20.03.2020

**M6A 087411 0078 Rev. 00**

place of issue: Munich

technical file no.: 646642391301

Certification body

TÜV Süd Product Service GmbH

Ridlerstraße 65

80339 Munich, Germany

Notified Body Appointment No.: 0123

**In the case of improper use, as well as in the case of assembling, modification or changes which are not agreed with us, this declaration will lose its validity.**

Authorized person to compile technical documentation is: Michael Glade (adress as below)



**TWIN BUSCH GmbH**

Amperestr. 1 · 64625 Bensheim

Tel. 06251 / 70585-0 · Fax: 70585-29

Authorized signatory: Michael Glade  
Bensheim, 23.11.2023 Qualitätsmanagement

**Twin Busch GmbH | Amperestr. 1 | D-64625 Bensheim**

**twinbusch.de | E-Mail: info@twinbusch.de | Tel.: +49 (0)6251-70585-0**



*You can find more products at:*

***[twinbusch.co.uk](http://twinbusch.co.uk)***

---

**Twin Busch UK LTD**  
Kettering  
Northants NN16 8PS

Tel.: +44 (0) 1536 522 960  
E-Mail: [info@twinbusch.co.uk](mailto:info@twinbusch.co.uk)  
Web: [www.twinbusch.co.uk](http://www.twinbusch.co.uk)

The technical specifications and illustrations provided in the user manual are not binding. Our products are subject to technical changes, so the delivered condition may vary.