



TW 250 B4.5

Clear Floor Two Post Lift
Lifting Capacity 5000KG

twinbusch.de



Installation, Operation and Parts Manual



Please read this entire manual carefully and completely
before installation or operation of the lift.

Twin Busch GmbH | Amperestraße 1 | D-64625 Bensheim
Tel.: +49 (0) 6251-70585-0 | Fax: +49 (0) 6251-70585-29 | info@twinbusch.de



INDEX

1. Safety instructions	3-4
1.1 Important notices	
1.2 Qualified personnel	
1.3 Danger notices	
1.4 Training	
1.5 Warning signs	
2. Overview of the lift	5
2.1 General descriptions	
2.2 Technical data	
2.3 Construction of the lift	
3. Installation instructions	7-8
3.1 Preparations before installation	
3.2 Precautions for installation	
3.3 Installation	
4. Operation instructions	8-9
4.1 Precautions	
4.2 Flow chart for operation	
4.3 Operating instructions	
5. Trouble shooting	10
6. Maintenance	11
7. Annex	12-33
Annex1, Packing list of the whole lift	
Annex2, Overall diagram	
Annex3, Floor plan	
Annex4, Wiring diagram	
Annex5, Hydraulic working system	
Annex6, Separated drawings for the lift	
Annex7, Spare parts list	

SAFETY INSTRUCTIONS

1.1 Important notices

Twin Busch offers a one-year's quality warranty for the whole machine, during which any quality problems will be properly solved to the user's satisfaction. However, we will not take any responsibility for whatever bad consequence resulted from improper installation and operation, overload running or unqualified ground condition.

This 2-posts lift is specially designed for lifting motor vehicles that weighs within its outmost lifting capacity. Users are not allowed to use it for any other purposes. Otherwise, we will not bear any responsibility for accidents or damages of the lift. Make sure to pay careful attention to the label of the lifting capacity attached on the lift and never try to lift cars with its weight beyond the limit. Read this manual carefully before operating the machine so as to avoid economic loss or personnel casualty incurred by wrong operation.

Without our professional advice, users are not permitted to make any modification to the control unit or whatever mechanical unit.

1.2 Qualified personnel

- 1.2.1 Only these qualified staff, who have been properly trained, can operate the lift.
- 1.2.2 Electrical connection must be done by a competent electrician.
- 1.2.3 People who are not concerned are not allowed in the lifting area.

1.3 Danger notices

- 1.3.1 Do not install the lift on any asphalt surface.
- 1.3.2 Read and understand all safety warnings before operating the lift.
- 1.3.3 The lift, if is not specially designed upon customer's request, is not fit for outdoor use.
- 1.3.4 Keep hands and feet away from any moving parts. Keep feet clear of the lift when lowering.
- 1.3.5 Only these qualified people, who have been properly trained, can operate the lift.
- 1.3.6 Do not wear unfit clothes such as large clothes with flounces, tires, etc, which could be caught by moving parts of the lift.
- 1.3.7 To prevent evitable incidents, surrounding areas of the lift must be tidy and with nothing unconcerned.
- 1.3.8 The lift is simply designed to lift the entire body of vehicles, with its maximum weight within the lifting capacity.
- 1.3.9 Always insure the safety latches are engaged before any attempt to work near or under the vehicle.
- 1.3.10 Make sure to place the lifting pads to the positions as suggested by vehicle makers and when gradually lift the vehicle to the desired height, operators should be certain that the vehicle will not slant, roll-over or slide in lifting process.
- 1.3.11 Check at any time the parts of the lift to ensure the agility of moving parts and the performance of synchronization. Ensure regular maintenance and if anything abnormal occurs, stop using the lift immediately and contact our dealers for help.
- 1.3.12 Lower the lift to its lowest position and do remember to cut off the power source when service finishes.
- 1.3.13 Do not modify any parts of the lift without manufacturer's advice.
- 1.3.14 If the lift is going to be left unused for a long time, users are required to:
 - a. Disconnect the power source;
 - b. Empty the oil tank;
 - c. Lubricate the moving parts with hydraulic oil.

1.4 Training

Only these qualified people, who have been properly trained, can operate the lift. We are quite willing to provide professional training for the users when necessary.

Attention: For environment protection, please dispose the disused oil in a proper way.

1.5 Warning signs

All safety warning signs attached on the machine are for the purpose of drawing the user's attention to safety operation. The labels must be kept clean and need to be replaced when they are worn-out or have dropped. Read the explanations of the labels carefully and try to memorize them.

<p>⚠ ATTENTION! ⚠</p> <p>Please read the instruction manual and safety warnings before using!</p>	<p>⚠ ATTENTION! ⚠</p> <p>Use of the lift by qualified personnel only!</p>	<p>⚠ ATTENTION! ⚠</p> <p>Use only the vehicle manufacturer's recommended lifting points!</p>	<p>⚠ ATTENTION! ⚠</p> <p>Check vehicle for security shortly after lifting!</p>
<p>⚠ ATTENTION! ⚠</p> <p>Repairs and maintenance only by qualified personnel, do not tamper with lift safety devices!</p>	<p>⚠ ATTENTION! ⚠</p> <p>Only qualified personnel are allowed within the lift working area!</p>	<p>⚠ ATTENTION! ⚠</p> <p>Never exceed the recommended lifting capacity!</p>	<p>⚠ ATTENTION! ⚠</p> <p>Attention when removing heavy vehicle parts!</p>
<p>⚠ ATTENTION! ⚠</p> <p>Always keep escape routes free!</p>	<p>⚠ ATTENTION! ⚠</p> <p>No persons under the lift (when lifting or lowering)!</p>	<p>⚠ ATTENTION! ⚠</p> <p>Never try to lift using only one side of the lift!</p>	<p>⚠ ATTENTION! ⚠</p> <p>Protect the lift against damp, especially the electrical connections!</p>
<p>⚠ ATTENTION! ⚠</p> <p>Always take care of your feet when lowering!</p>	<p>⚠ ATTENTION! ⚠</p> <p>Never climb on the lift!</p>	<p>⚠ ATTENTION! ⚠</p> <p>Avoid excessive shaking of the vehicle!</p>	<p>⚠ ATTENTION! ⚠</p> <p>ATTENTION! Danger of shock!</p>

OVERVIEW OF THE LIFT

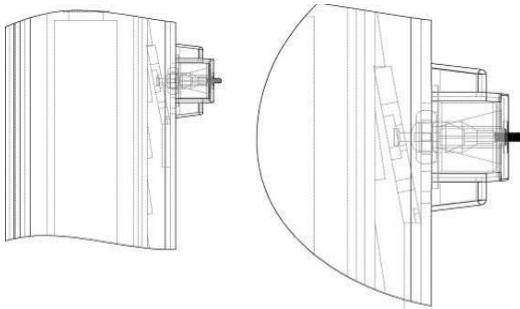
2.1 General descriptions

This two-post lift is composed of posts, carriages, lifting arms, cylinders and motor unit, etc.

The lift is driven by an electro-hydraulic system. The gear pump delivers hydraulic oil to oil cylinders and pushes upwards its piston.

The piston drives the chain to raise the carriage and the lifting arms. During lifting process, the safety teeth will automatically and firmly bite with the safety rod in the posts. Therefore, no slipping will happen in case the hydraulic system breaks down.

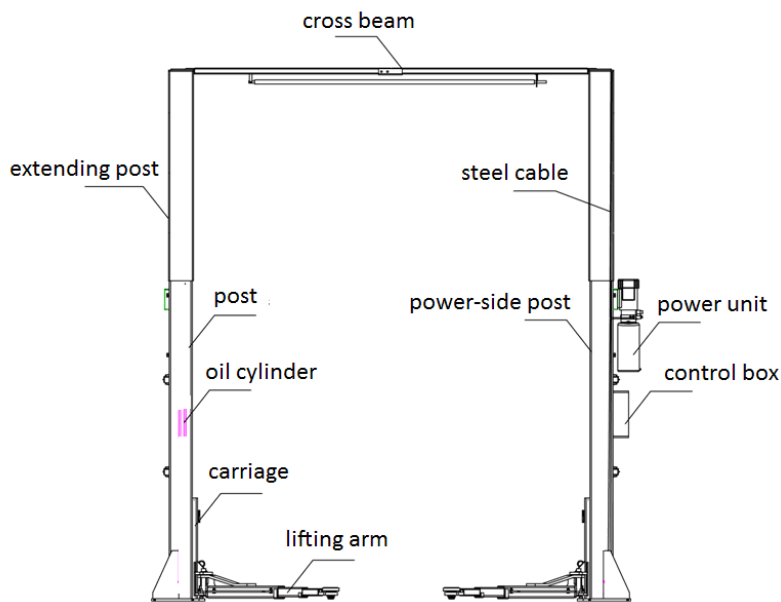
Safety structure:



2.2 Technical data

Model	Lifting capacity	Lifting time	Lifting height	Height	Width	Width between posts
TW 250 B4.5	5000 kg	50 Sec	1900 mm	4450 mm	4028 mm	3342 mm

2.3 Construction of the lift



INSTALLATION INSTRUCTIONS

3.1 Preparations before installation

3.1.1 Tools and equipments needed

- ✓ Appropriate lifting equipment
- ✓ Anti-abrasion hydraulic oil.
- ✓ Rotary Hammer Drill with 3/4" drill bit.
- ✓ Chalk and tape measure, magnetic plump, 8 meters $\Phi 15$ level pipe.
- ✓ Sockets and open wrenches, a set of inside hex wrenches, cross and straight screw drivers.
- ✓ Hammer, 4pounds, sharp nose pliers, $\Phi 17, \Phi 19, \Phi 22$ socket spanners

3.1.2 List for parts checking ---Annex 1 (Packing list)

Unfold the package and check if any parts are missing. Do not hesitate to contact us in case any parts are missed.

3.1.3 Ground conditions

The lift should be fixed on a smooth and solid concrete ground with its strength more than 3000psi, tolerance of flatness less than 5mm and minimum thickness of 200mm. In addition, newly built concrete ground takes 28 days to fully harden.

3.2 Precautions for installation

- 3.2.1 Make sure the two posts stand paralleled and are vertical to the ground. No slanting.
- 3.2.2 Joints of oil hose and steel cable must be firmly connected in order to avoid the looseness of steel cable and leakage of oil hose.
- 3.2.3 All bolts should be firmly screwed up.
- 3.2.4 Do not place any vehicle on the lift in the case of trial running.

3.3 Installation

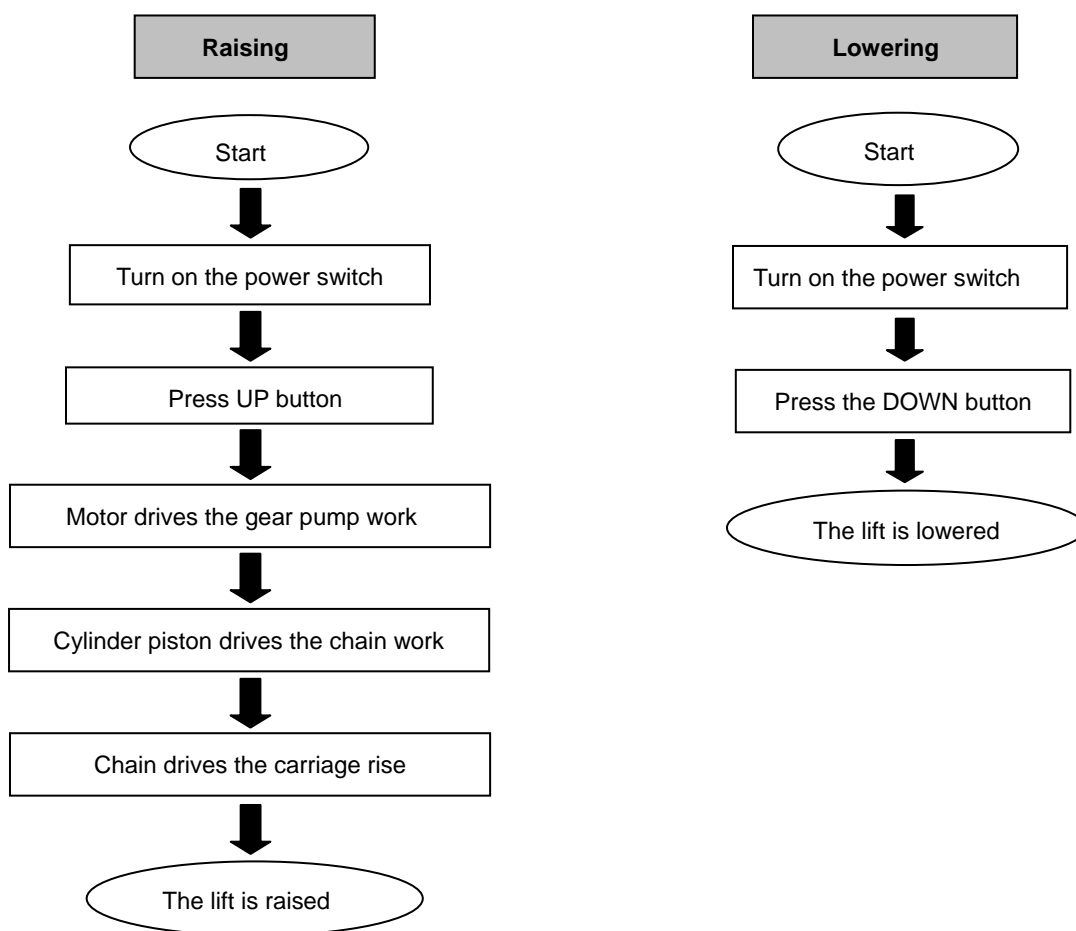
To make it easier for you clients we have prepared a video that shows you how to perform the installation step by step. This can be found on our internet site or on youtube.

OPERATION INSTRUCTIONS

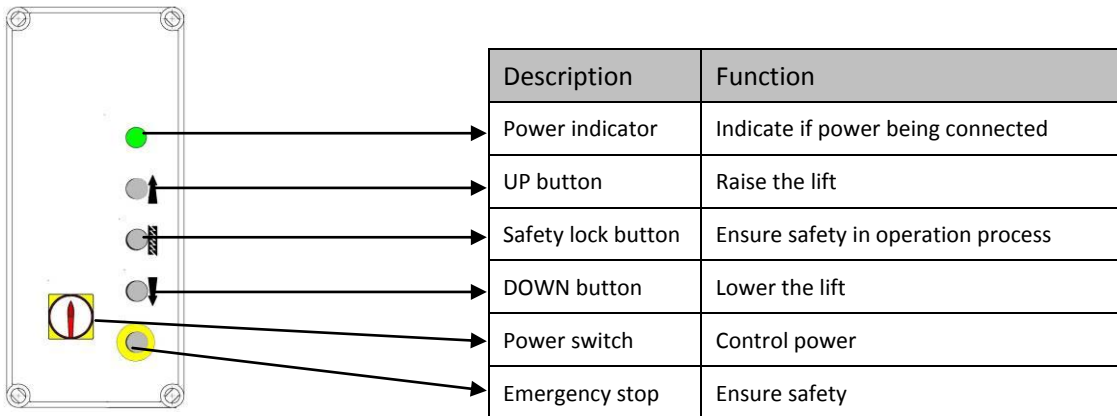
4.1 Precautions

- 4.1.1 Check all the joints of oil hose. Only when there is no leakage, the lift can start work.
- 4.1.2 The lift, if its safety device malfunctions, shall not be used.
- 4.1.3 The machine shall not lift or lower an automobile if its center of gravity is not positioned midway of the lifting arms.
- 4.1.4 Operators and other personnel concerned should stand in a safety area during lifting and lowering process.
- 4.1.5 When lifting arms rise to the desired height, switch off the power at once to prevent any mal-operation done by unconcerned people.
- 4.1.6. Make sure the safety lock of the lift is engaged before you start working under the vehicle.

4.2 Flow chart for operation



4.3 Operation instructions



Raise the lift

1. Make sure that you have read and understood the operation manual before operation.
2. Park the vehicle between two posts.
3. Adjust lifting arms until they reach the supporting positions of the vehicle and make sure the gravity of vehicle located midway of four lifting arms.
4. Switch on and insure to operate as per requirements on the nameplate attached.
5. Press the "UP" button on the control box until pads of lifting arms touched the prop-position of vehicle.
6. Keep on raising the vehicle to let it have a bit clearance from the ground and check again its stability.
7. Raise the vehicle to the desired height, check it is safe or not, press the "Safety Lock" button on the control panel to have the safety lock engaged, turn off the power and then perform maintenance or repair work underneath.

Lower the lift

1. Switch on.
2. Press the "DOWN" button on the control box. Meanwhile the lifting arms automatically go upwards about 5CM to release the safety lock. Then lifting arms start lowering.
3. After lifting arms lower to the lowest position, pull them out from under the vehicle and clear up all the obstacles.
4. Drive the vehicle away.

TROUBLE SHOOTING

ATTENTION: If the trouble could not be fixed by yourself, please do not hesitate to contact us for help .We will offer our service at the earliest time we can. By the way, troubles could be judged and solved much faster if more details or pictures could be provided.

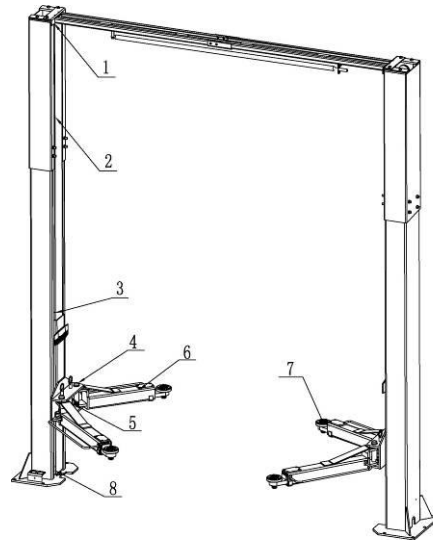
TROUBLES	CAUSE	SOLUTION
Abnormal noise	Abrasion exists on insider surface of the posts.	Grease the inside of the post.
	Trash in the post.	Clear the trash.
Motor does not run and will not rise	The wire connection is loose.	Check and make a good connection.
	The motor is blown.	Replace it.
	The limit switch is damaged or the wire connection is loose.	Connect it or adjust or replace the limit switch.
Motor runs but will not raise	The motor run reversely.	Check the wire connection.
	Overflow valve is loose or jammed.	Clean or adjust it.
	The gear pump is damaged.	Replace it.
	Oil level is too low.	Add oil.
	The oil hose became loose or dropped off.	Tighten it.
	The cushion valve became loose or jammed.	Clean or adjusts it.
Carriages go down slowly after being raised	The oil hose leaks.	Check or replace it.
	The oil cylinder is not tightened.	Replace the seal.
	The single valve leaks.	Clean or replace it.
	E-magnetic valve fails to work well.	Clean or replace it.
	Steel cable is loose or not with same tightness.	Check and adjust the tightness.
Raising too slow	The oil filter is jammed.	Clean or replace it.
	Oil level is too low.	Add oil.
	The overflow valve is not adjusted to the right position.	Adjust it.
	The hydraulic oil is too hot (above 45°).	Change the oil.
	The seal of the cylinder is abraded.	Replace the seal.
	Inside surface of the posts is not well greased.	Add grease.
Lowering too slow	The throttle valve jammed.	Clean or replace.
	The hydraulic oil is dirty.	Change the oil.
	The anti-surge valve jammed.	Clean it.
	The oil hose jammed.	Replace it.
The steel cable is abraded	No grease when installation or out of lifetime.	Replace it.

MAINTENANCE

Easy and low cost routine maintenance can ensure the lift works normally and safely. Follow all requirements for routine maintenance. Frequency of routine maintenance is determined by working condition and frequency.

The following parts need lubrication.

S/N	Name
1	UP pulley
2	Steel cable
3	Slider
4	Shaft
5	Arm lock
6	Lifting arm
7	Lifting tray
8	DOWN pulley



6.1 Daily Check

The user must perform a daily check. Daily check of safety lock system in very important – the discovery of device failure before action could save time and prevent great loss, injury or casualty.

- Before operation, judge whether the safety locks are engaged.
- Check whether the oil hose leaks or not.
- Check the connections of the chain and steel cable and check the power unit.
- Check whether the expansion bolts are firmly screwed.
- Check if the arm lock works well or not.

6.2 Weekly Check

- Check the flexibility of moving parts.
- Check the working conditions of the safety parts.
- Check the amount of oil left in the oil tank.
- Check whether the expansion bolts are firmly screwed.

6.3 Monthly Check

- Check whether expansion bolts are firmly screwed.
- Check the tightness of the hydraulic system and screw firm the joints if it leaks.
- Check the lubrication and abrasion circumstance of axial pins, carriages, lifting arms and other related parts and replace in time with new ones if they failed to work well.
- Check the lubrication and abrasion circumstance of steel cable.

6.4 Yearly Check

- Empty the oil tank and check the quality of hydraulic oil.
- Wash and clean the oil filter.

If the above maintenance suggestions are strictly followed, the lift will always keep in a good working condition and meanwhile accidents could be avoided to a large extent.

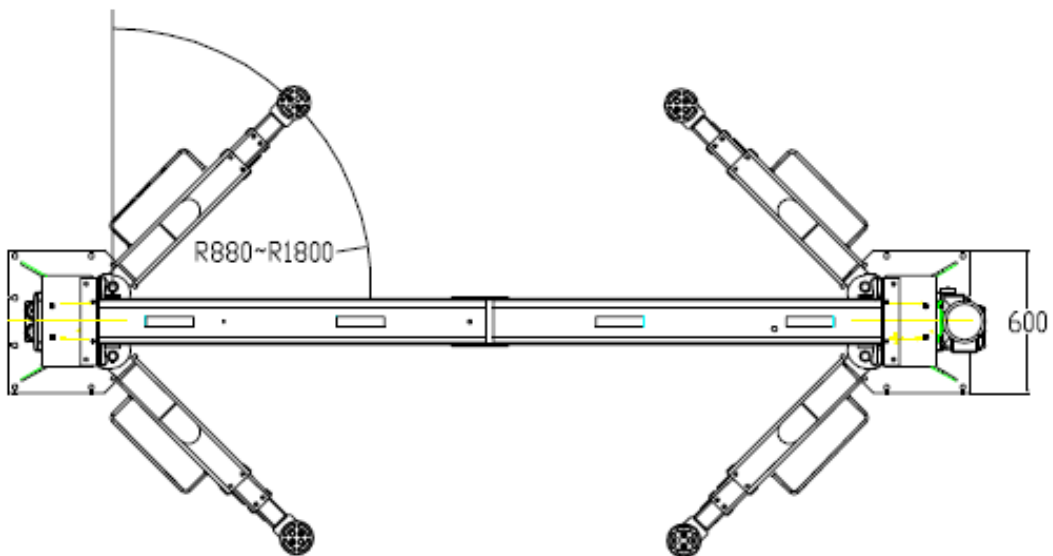
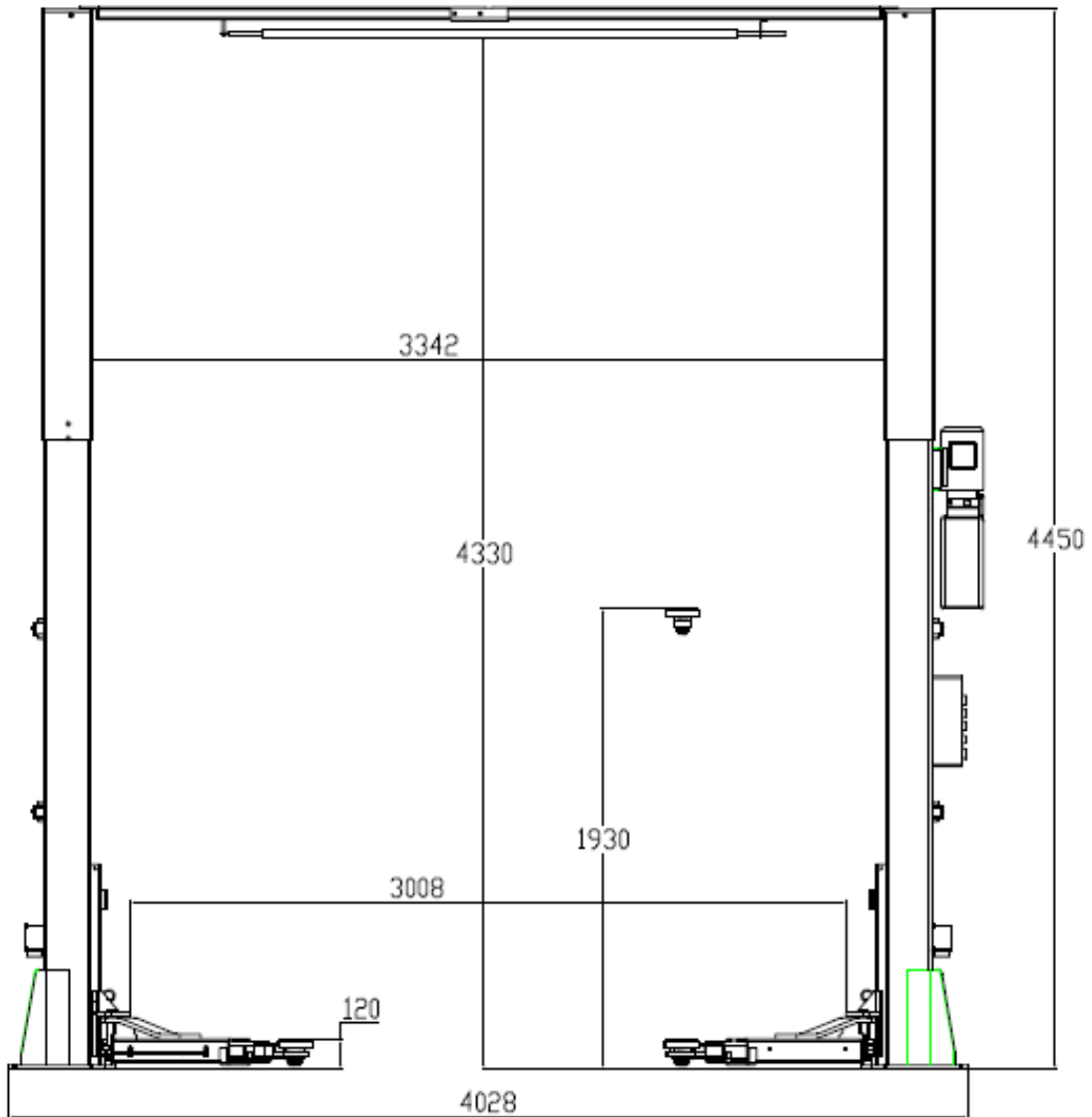
Annex 1, Packing List of the whole lift

S/N	Material #	Name	Drawing#	Qty	Property
1		Power unit		1	Assembly
2		Extending post	8215E-A9	2	Assembly
3		Power-side post	8215E-A1	1	Assembly
4		Post	8215E-A2	1	Assembly
5		Arm assembly	8255E-A4	4	Assembly
6		Control box		1	Assembly
7		Electromagnets package		1	Package
8		Cross beam (out)	8215E-A10-B1	1	Powder-coating
9		Cross beam (in)	8215E-A10-B2		Powder-coating
10		Roof protection bumper	8215E-A10-B3	1	Powder-coating
11					
		Feet protection fender	8255E-A4-B1-C7	4	Welded
		Lifting tray	8254E-A7-B4	4	Assembly
		Chain protection cloth	8215E-A5	2	Assembly
		Rubber oil hose L=400	8214E-A4-B3	1	Assembly
		Rubber protection pad	8255E-A3-B3	2	Rubber
		Oil hose clip (Big)	8214-A1-B2	6	Zinc plating
		Pin	8255E-A13	4	Zinc plating
		Safety locking plate	8254E-A13	4	Zinc plating
		Electromagnet	8254E-A15	4	ABS
		Height adapter	8254E-A11	4	Zinc plating
		Positioning block	8254E-A17	4	Zinc plating
		Hose& wire cover	8254E-A18	6	Powder-coating
		Rod for chain protection cloth	8254E-A1-B5	4	Zinc plating
		Hex head full swivel screw	M8*35	4	Standard
		Hex head full swivel screw	M14*30	16	Standard
		Hex head full swivel screw	M14*25	5	Standard
		Hex head full swivel screw	M6*35	1	Standard
		Hex head full swivel screw	M12*30	4	Standard
		Hex socket button head screw	M8*12	8	Standard
		Cross socket cap head screw	M5*10	24	Standard
		Cross socket cap head screw	M5*23	12	Standard
		Cross socket cap head screw	M6*8	10	Standard
		Cross socket cap head screw	M6*16	4	Standard
		Cross socket flat head screw	M8*16	4	Standard
		Flat washer	M6	16	Standard
		Flat washer	M14	21	Standard
		Flat washer	M8	4	Standard
		Flat washer	M12	4	Standard
		Spring washer	M8	4	Standard
		Spring washer	M14	21	Standard
		Spring washer	M12	4	Standard

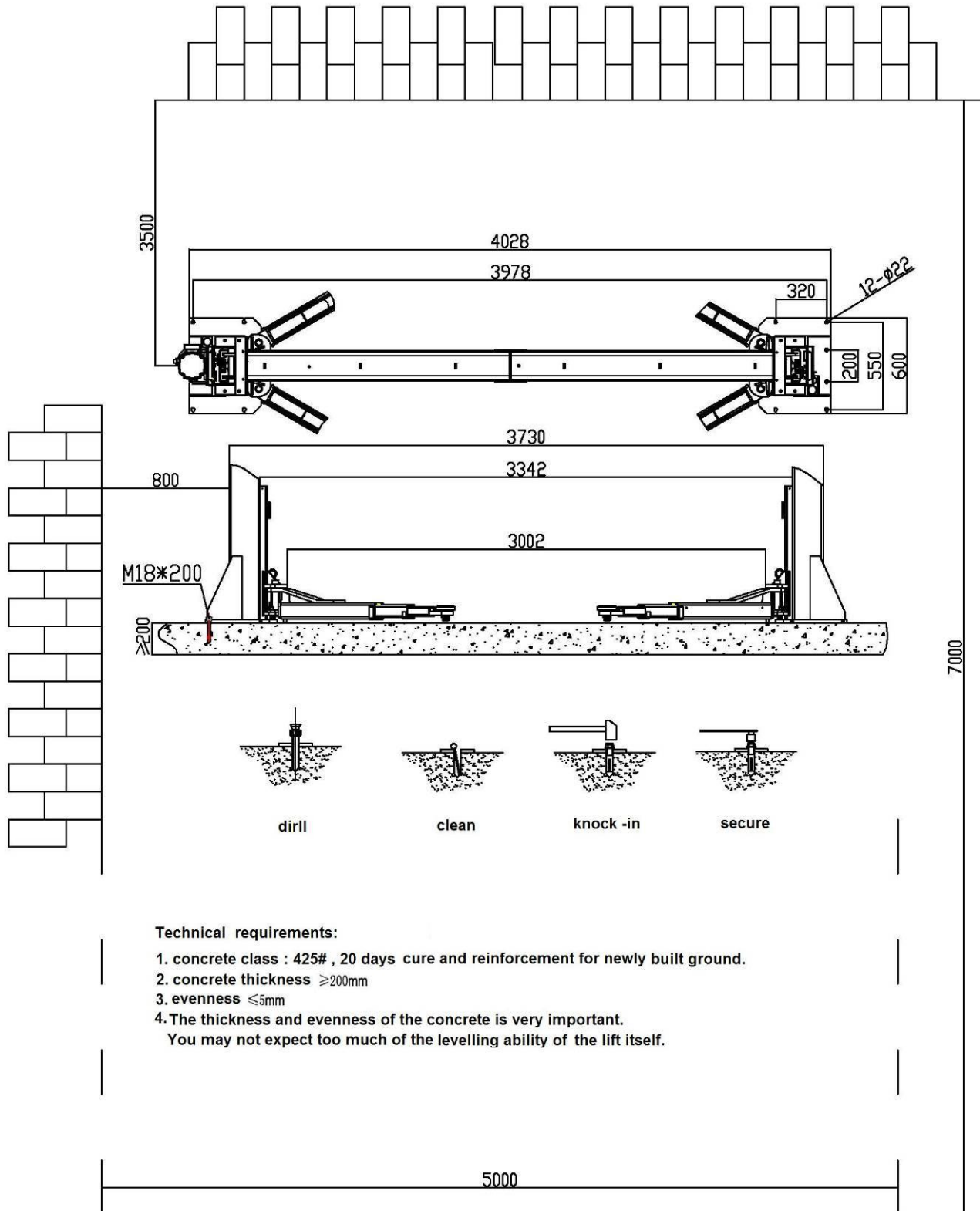


S/N	Material #	Name	Drawing#	Qty	Property
		Nut	M6	9	Standard
		Nut	M8	4	Standard
		Nut	M14	21	Standard
		Circlip 38	38	4	Standard
		Expansion bolts	M18*180	10	Standard

Annex2, Overall diagram



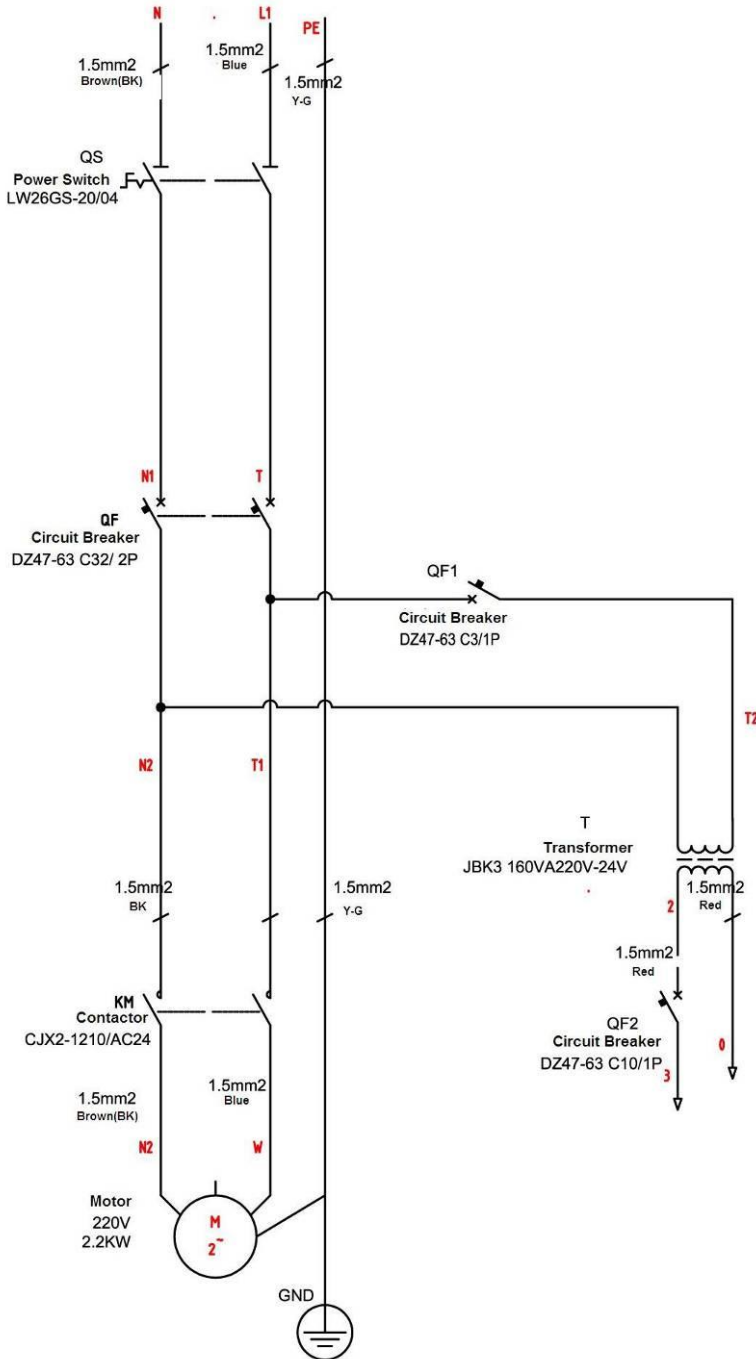
Annex3, Floor plan



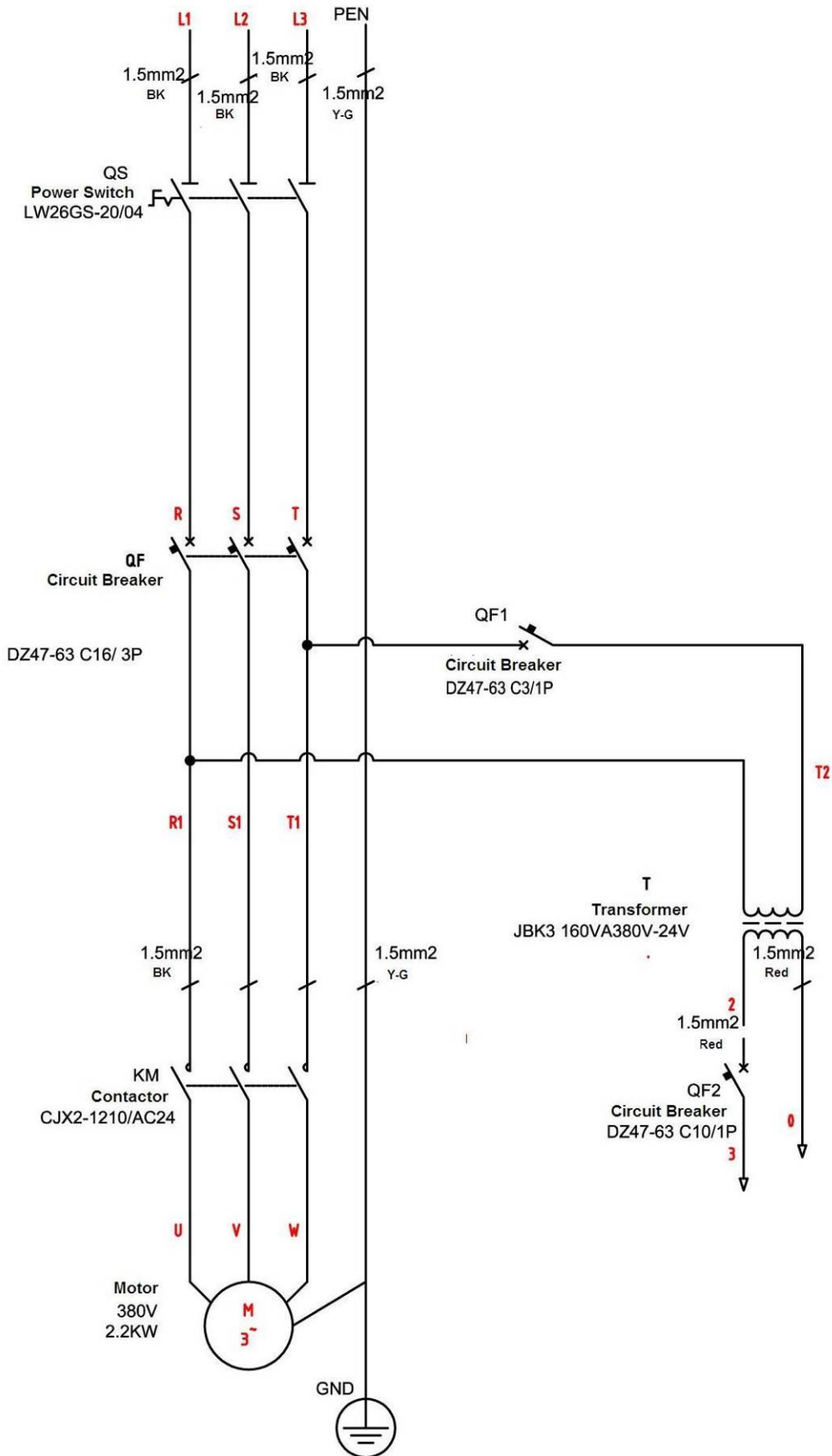
Annex4, Wiring diagram

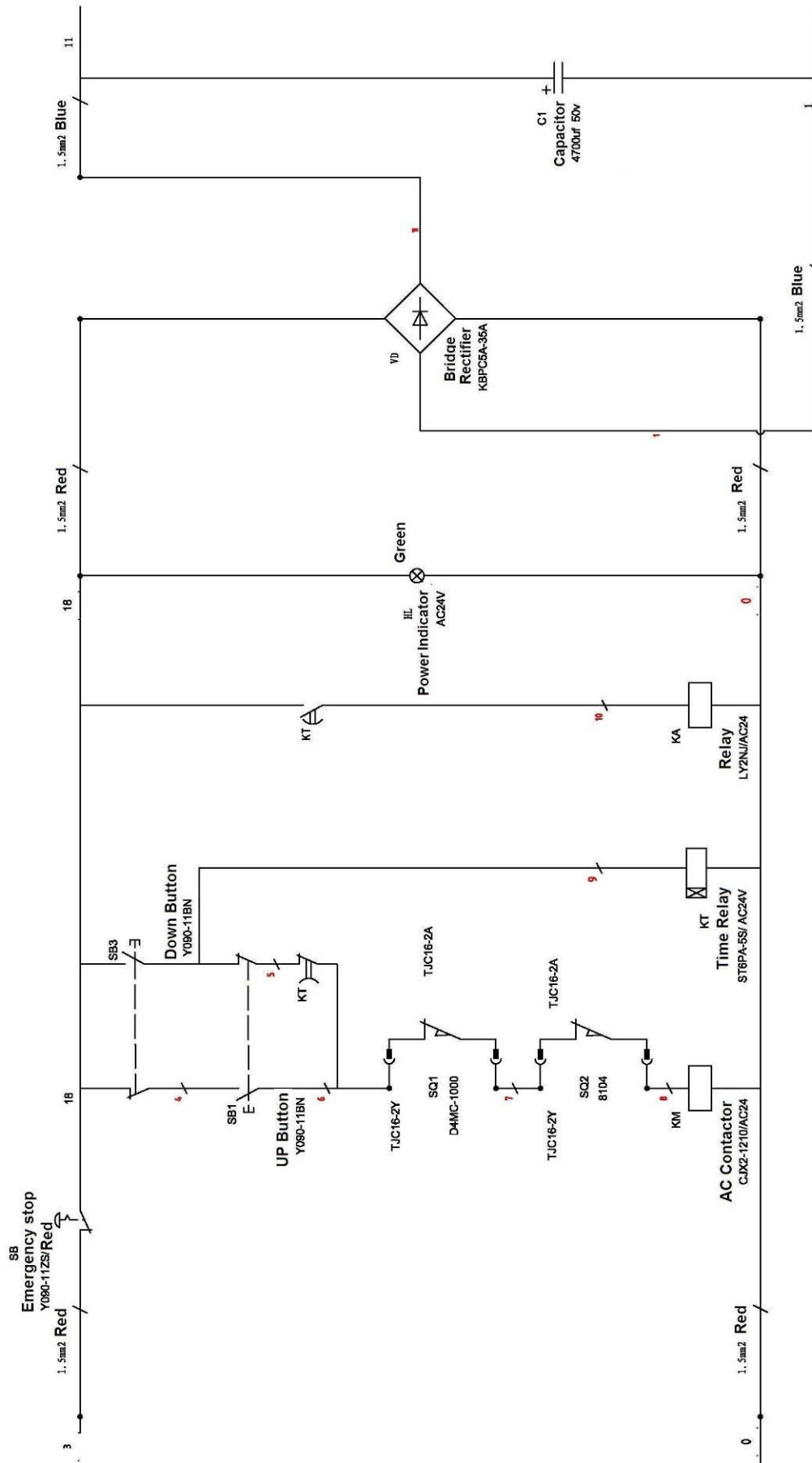
NOTE: For specific requirements on voltage, the actual voltage of your lift may differ with the voltage marked in the following diagram.

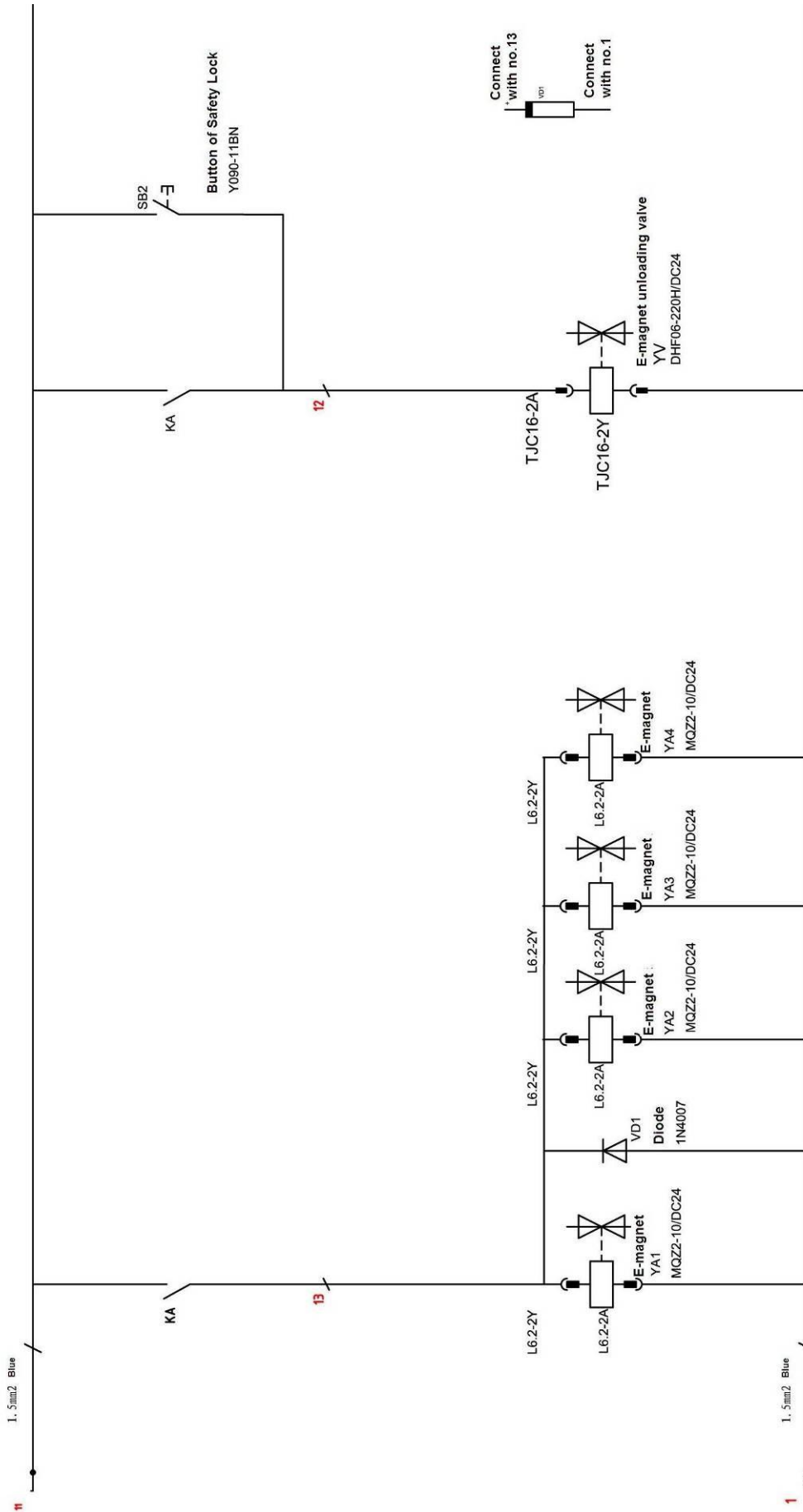
Single phase

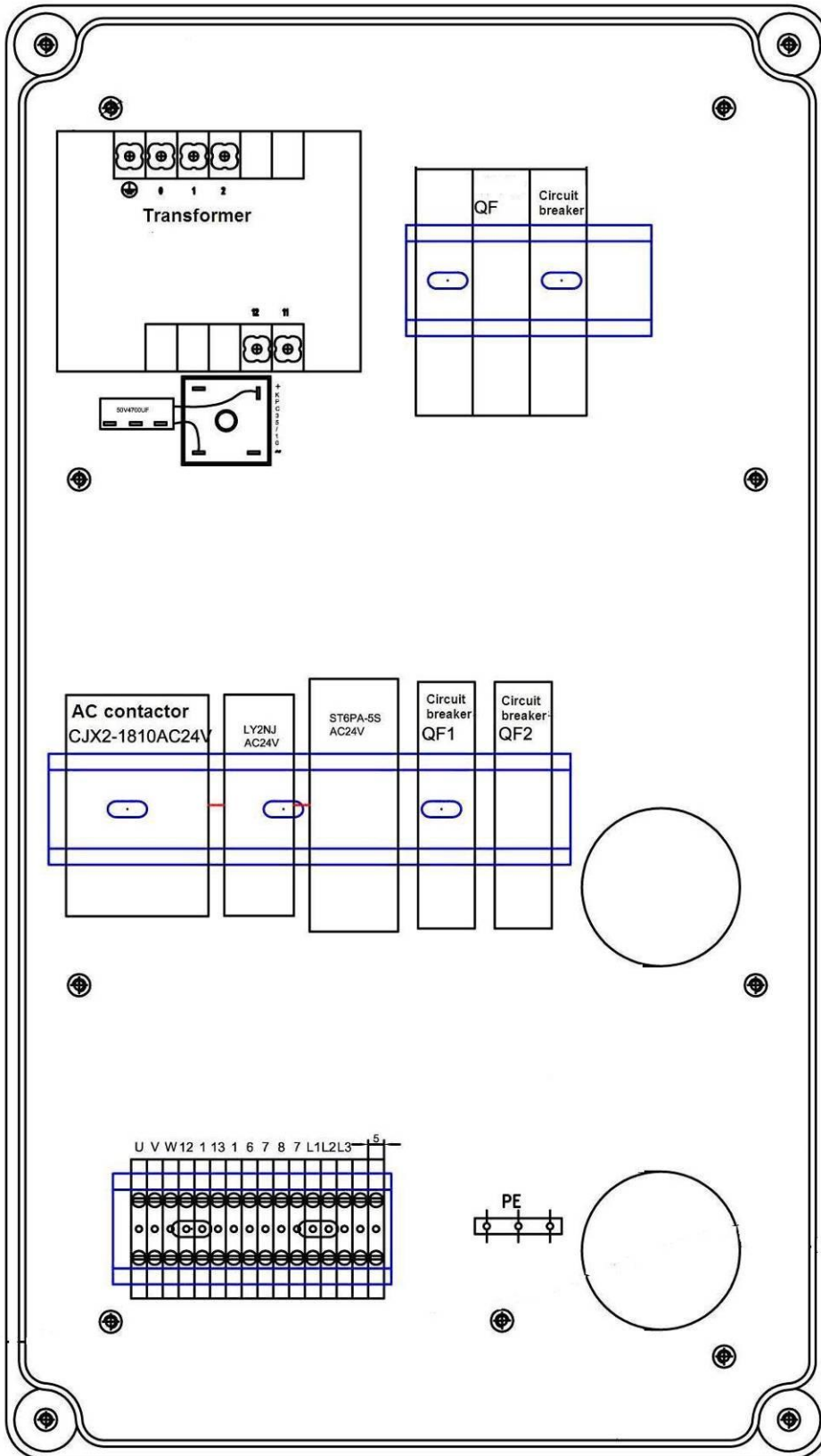


3 Phase

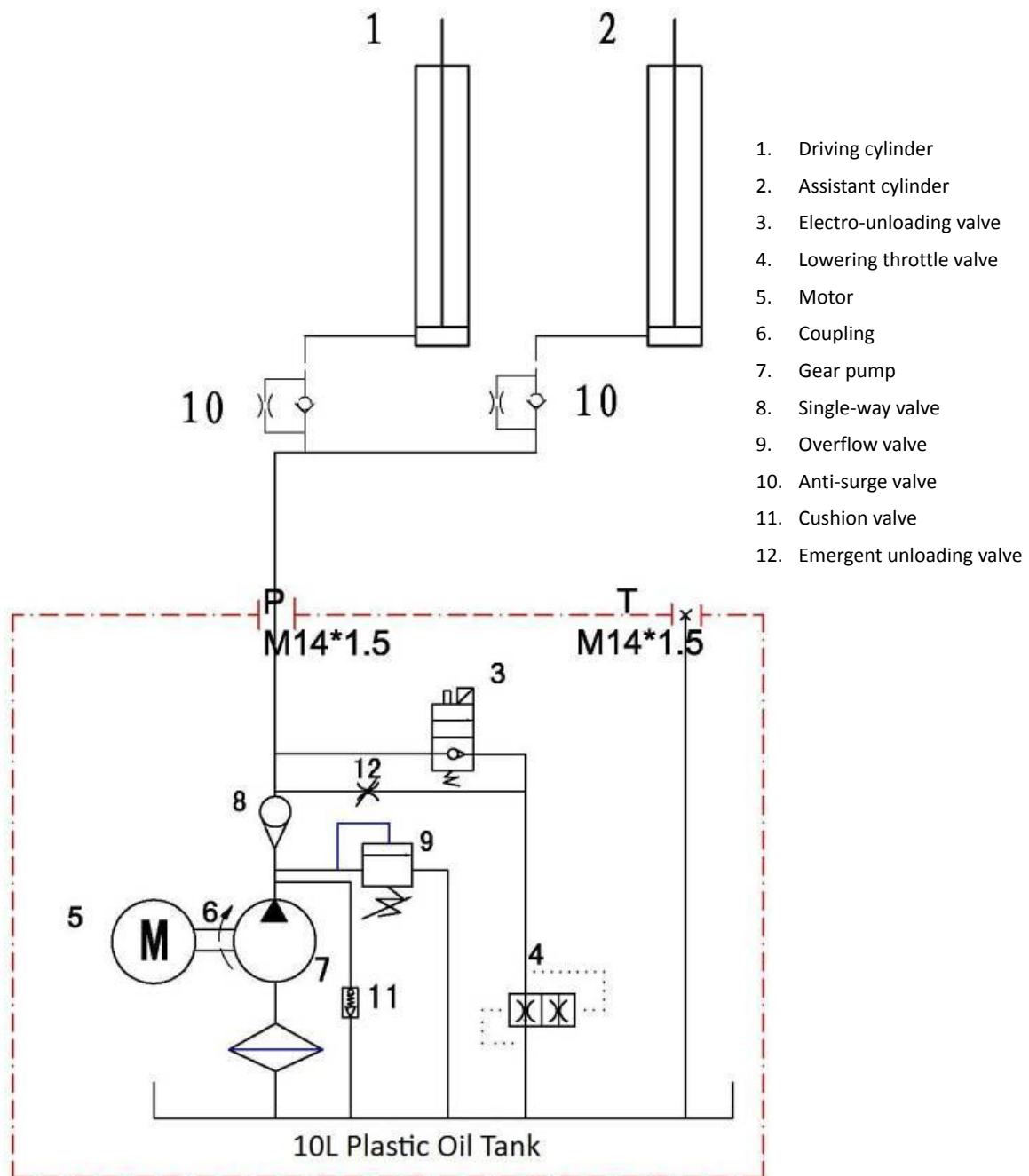


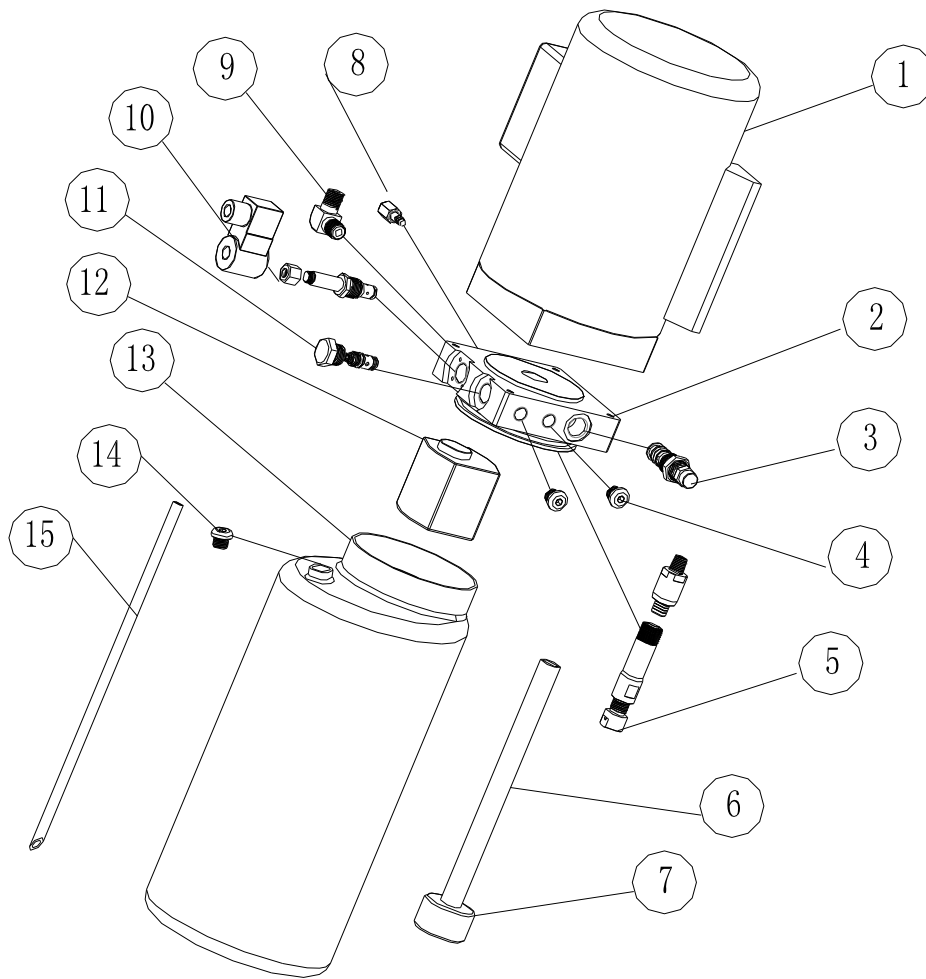






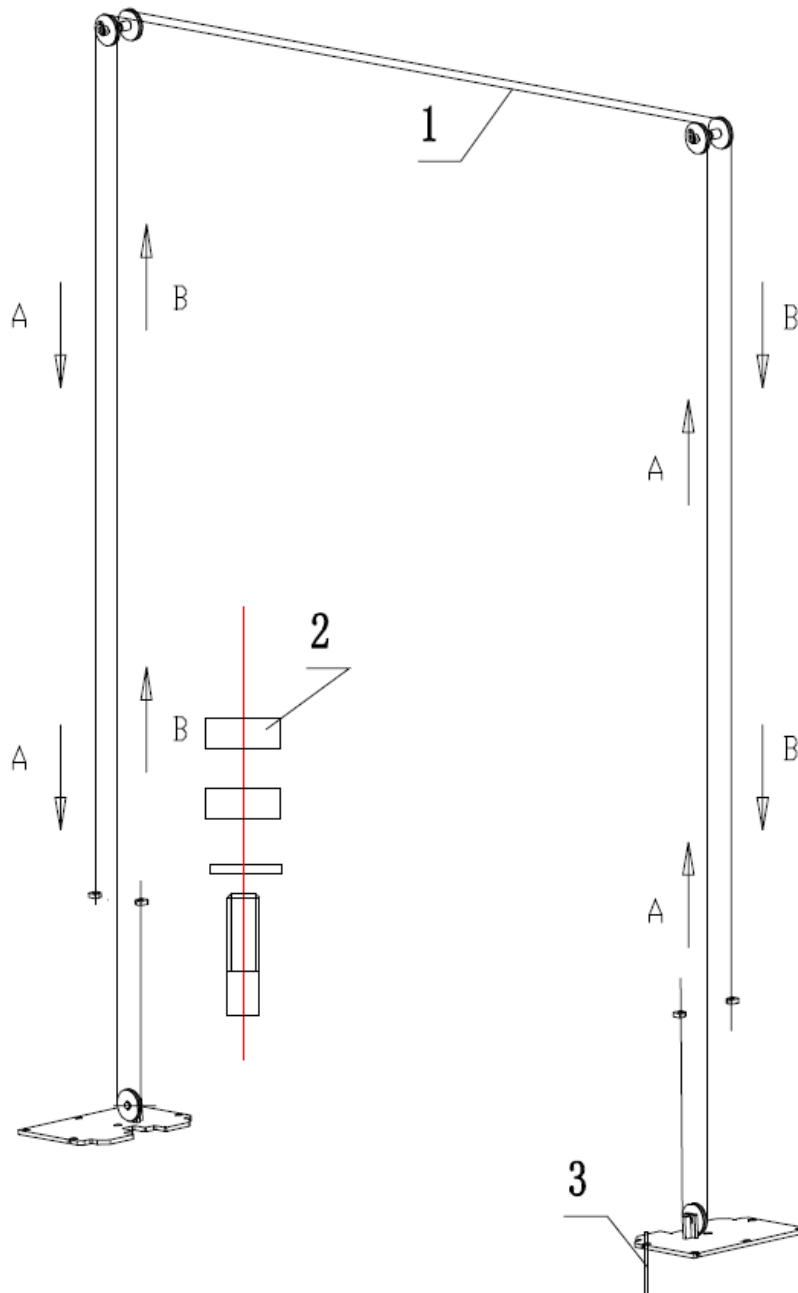
Annex5, Hydraulic System



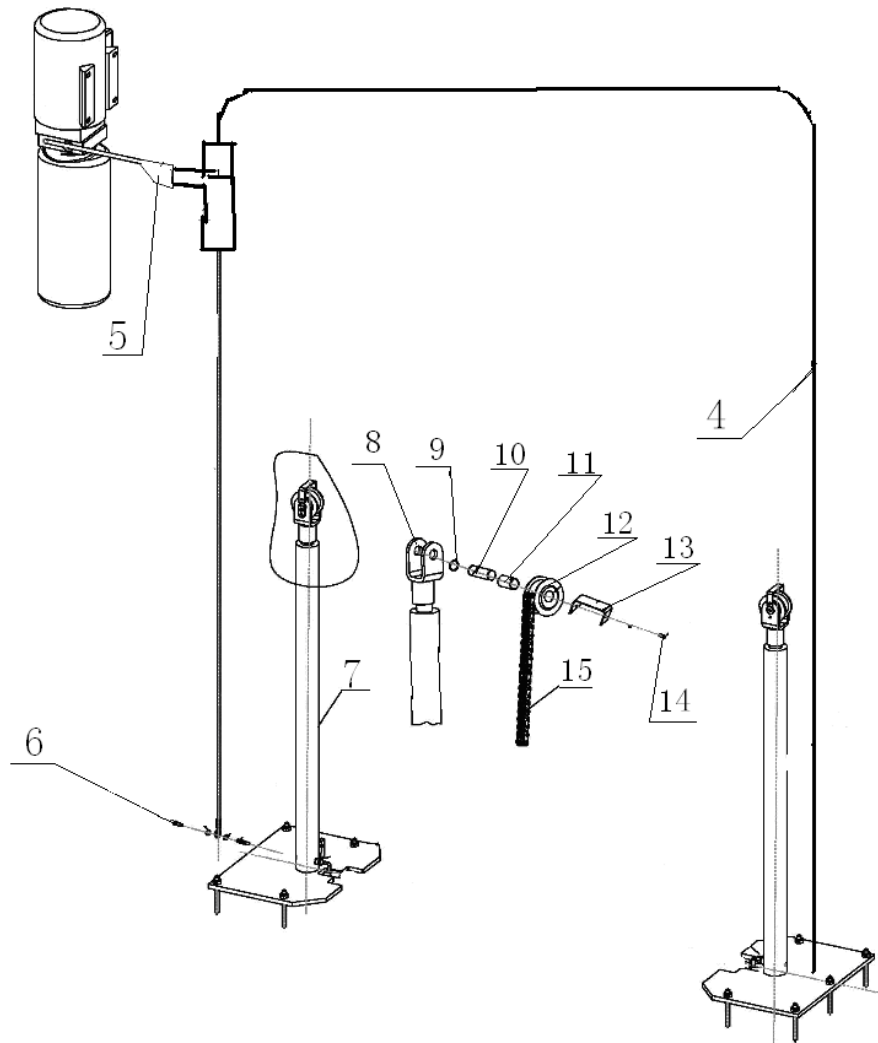


S/N	Name	Qty
1	Motor	1
2	Hydraulic block	1
3	Overflow valve	1
4	Removable plug	2
5	Cushion valve	1
6	Oil absorbing pipe	1
7	Oil filter	1
8	Throttle valve	1
9	Oil pipe tie-in	1
10	Electro-unloading valve	1
11	One-way valve	1
12	Gear pump	1
13	Plastic oil tank	1
14	Oil tank cover	1
15	Oil back pipe	1

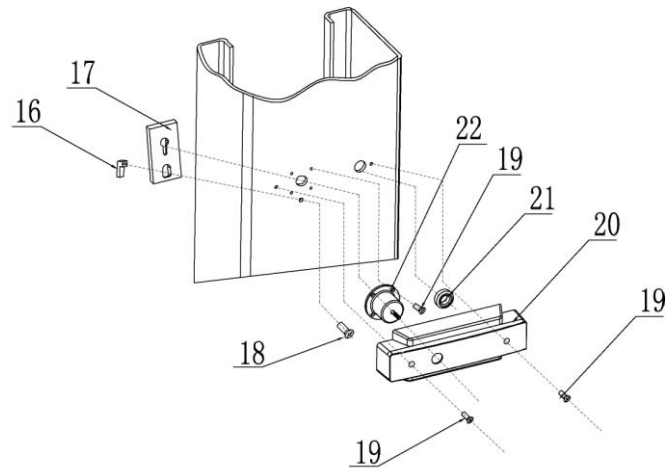
Annex6, Separated drawings for the lift



S/N	Material #	Name	Drawing#/Spec.	Qty	Property	Note
1		Steel cable L=12490mm		2	Assembly	
2		Hex nut M20	GB/T610-2000	8	Standard	
3		Expansion bolt M18*180		12	Standard	



S/N	Material #	Name	Drawing#/Spec.	Qty	Property	Note
4		Oil Hose L=10100		1	Assembly	
5		Short oil hose L=500		1		
6		Connector		1		
7		Oil cylinder	FL-8225E-A4-B3	2	Assembly	
8		Cylinder fixing ring	FL-8224-A4-B9	2	Q235A	
9		Hex head full swivel screw	GB/T894.2-1986	4	Standard	
10		Chain shaft	FL-8224-A4-B11	2	Q235A	
11		Shaft 2548	SF-1	2	Assembly	
12		Chain wheel	FL-8225E-A4-B6	2	Assembly	
13		U shape plate	FL-8225E-A4-B7	2	Assembly	
14		Anex screw M6*10	GB/T70.1-2000	4	Copper	
15		Chain	LH1234-127LGB/6074-1995	2	Assembly	



S/N	Material #	Name	Drawing#/Spec.	Qty	Property	Note
16		Positioning block	FL-8224E-A1-B3	4	Q235A	
17		Safety locking plate	FL-8224E-A1-B2	4	Q235A	
18		Cross socket cap headed screw M6*16	GB/T818-2000	4	Standard	
19		Cross socket cap headed screw M6*10	GB/T818-2000	24	Standard	
20		Electromagnet protection cover	FL-8224E-A1-B5	4	Plastic	
21		Φ20 hose protection ring	FL-8224-A1-B6	4	Rubber	
22		Electromagnet (small)	FL-8224E-A1-B4	4	Assembly	

Annex7, Spare parts list

Spare parts list -for the electrical system

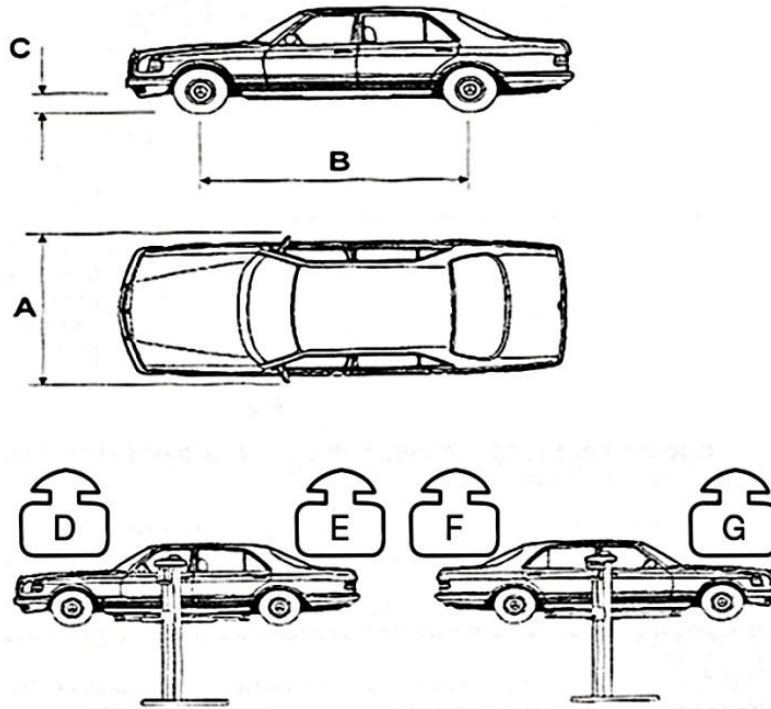
S/N	Material #	Item	Spec.	Qty	PIC.	Note
1		Power switch	LW26GS-20/04	1		
2		Button	Y090-11BN	3		
3		Power indicator	AD17-22G-AC24	1		
4		Transformer	JBK-160VA220V-24V	1	Same as item7	
5		Transformer	JBK-160VA230V-24V	1	Same as item7	
6		Transformer	JBK-160VA240V-24V	1	Same as item7	
7		Transformer	JBK-160VA380V-24V	1		
8		Transformer	JBK-160VA400V-24V	1	Same as item7	
9		Transformer	JBK-160VA415V-24V	1	Same as item7	
10		AC contactor	CJX2-1210/AC24	1		
11		Circuit breaker	DZ47-63 C16 /3P	1		
12		Circuit breaker	DZ47-63 C32 /2P	1		
13		Circuit breaker	DZ47-63 C3 /1P	1		
14		Circuit breaker	DZ47-63 C6 /1P	1	Same as item7	
15		Limit switch	D4MC1000	1		
16		Limit switch	TZ8108	1		

S/N	Material #	Item	Spec.	Qty	PIC.	Note
17		Bridge rectifier	KBPC5A-35A	1		
18		Capacitor	4700UF/50V	1		
19		Control box	big	1		
20		Relay	LY2NJ/AC24	1		
21		Relay holder	PTF-08A	1		
22		Time relay	ST6PA-5S/AC24V	1		
23		Time relay holder	PYF-08A	1		

Spare parts list – for the mechanical system

S/N	Material #	Name	Drawing#/Spec.	Qty	Property	Note
1		Slider	FL-8224-A3-B6	16	Nylon 1010	
2		Rubber lifting pad	FL-8225E-A7-B4-C4	4	Rubber	
3		O-shape seal ring	Inside diameter 23.6*3.55			
4		Y-shape seal ring	SD70*60*8			
5		Anti-dust ring	DHS40(40*48*5/6.5)			

Vehicle weight distribution



Modell Nr.	A (mm)	B (mm)	C (mm)	D (kg)	E (kg)	F (kg)	G (kg)
TW 250	2720	3850	100	2800	2200	2800	2200



Preperation protocol

The lift type with the
serial number: was built on
by the company in
and was checked for safety and function and was put into operation.

The set up and preparation was carried out by the OPERATOR | EXPORT

The safety of the lift was checked by an .

The operator confirms the installation of the lift, and qualified experts have confirmed proper
install before launching unit.

Date Owner/ Operator Signature

Date Installation expert Signature

Address Owner/ Operator:

Address Installation expert:



Inspection findings

Regular/ extraordinary inspection

On the date of this lift was put through a regular/
extraordinary and thorough inspection. During this inspection these issues were/ were not
found.

.....
.....

Scope of the audit:

.....

Outstanding partial inspection:

.....

The use of this equipment is authorized and the machine and all features have been
inspected .

Location/ Date	Inspectors signature
----------------	----------------------

Operator or agent

Taken notes of the defects

Defect corrected
Date Signature

Verification

Date Signature

On the date of this lift was put through re-inspection. During
this inspection these issues were/ were not found.

The use of this equipment is authorized and the machine and all features have been
inspected.

Location/ Date	Inspectors signature
----------------	----------------------



Safety review pursuant to UVV type

Safety inspection before commissioning/ regular checks/ extraordinary
(Mark off those that do not apply)

Inspection	Good shape	defective	Re-inspection	Notes
Warning labels/ signs				
Name plate/ ID				
Limit switch function				
Condition of rubber plates				
Function of carrier arm locks				
Supporting structure (cracks etc.)				
Function of safety latches				
All screws tight				
Condition of steel cables				
Condition of covers				
Condition of chain				
Condition of cable pulleys				
Condition of hydraulic lines				
Fluid level of hydraulic unit				
Hydraulic system seals				
Condition of the piston rod				
Condition of electronics				
Function test of the lift				
Foundation condition (cracks)				
Lift Slides/guides in the lift column				
Other				
(Check the appropriate box, if re-inspection is necessary mark that box as well!)				

Inspector (Name, Address):

Inspected on:

Inspection result:

- Commissioning/ use possible. Resolve issues by
- Commissioning/ use prohibited. Re-inspection necessary.
- No defects. Commissioning/ use possible.

Signature owner/ operator:

Signature inspector:



Inspection findings

Regular/ extraordinary inspection

On the date of this lift was put through a regular/ extraordinary and thorough inspection. During this inspection these issues were/ were not found.

.....

Scope of the audit:

Outstanding partial inspection:

The use of this equipment is authorized and the machine and all features have been inspected .

Location/ Date Inspectors signature

Operator or agent

Taken notes of the defects

Defect corrected Date Signature

Verification

Date Signature

On the date of this lift was put through re-inspection. During this inspection these issues were/ were not found.

The use of this equipment is authorized and the machine and all features have been inspected.

Location/ Date Inspectors signature



Safety review pursuant to UVV type

Safety inspection before commissioning/ regular checks/ extraordinary
 (Mark off those that do not apply)

Inspection	Good shape	defective	Re-inspection	Notes
Warning labels/ signs				
Name plate/ ID				
Limit switch function				
Condition of rubber plates				
Function of carrier arm locks				
Supporting structure (cracks etc.)				
Function of safety latches				
All screws tight				
Condition of steel cables				
Condition of covers				
Condition of chain				
Condition of cable pulleys				
Condition of hydraulic lines				
Fluid level of hydraulic unit				
Hydraulic system seals				
Condition of the piston rod				
Condition of electronics				
Function test of the lift				
Foundation condition (cracks)				
Lift Slides/guides in the lift column				
Other				
(Check the appropriate box, if re-inspection is necessary mark that box as well!)				

Inspector (Name, Address):

Inspected on:

Inspection result:

- Commissioning/ use possible. Resolve issues by
- Commissioning/ use prohibited. Re-inspection necessary.
- No defects. Commissioning/ use possible.

Signature owner/ operator:

Signature inspector:



The company

Twin Busch GmbH | Amperestr. 1 | D-64625 Bensheim

declares hereby, that the **2-post vehicle lift**

TW 250 + TW 250 B4.5 | 5000 kg

serial no.

in the configuration placed on the market by us, meets the relevant safety and health requirements, as required by the following EC directive(s) in it's/their current version(s).

EC-directive(s)

2006/42/EC Machinery

2006/95/EC Low Voltage

Applied harmonized standards and regulations

EN 1493:2010 Car lifts

EN 60204-1:2006/A1:2009 Safety of machinery - Electrical equipment of machines

CE Certificate

N8M 15 04 87411 014

date of issue: 20.04.2015

M6A 15 04 87411 013

place of issue: München

technical file no.: 646821 400902

Certification body

TÜV Süd Product Service GmbH,

Ridlerstraße 65,

D-80339 München

Notified Body Appointment No. 0123

Any alteration to the equipment, improper use or installation void this declaration.

Authorized person to compile technical documentation is: Michael Glade (adress as below)



TWIN BUSCH GmbH

Amperestr. 1 · 64625 Bensheim

Tel. 06251 / 70585-0 · Fax: 70585-29

Authorized signatory: Michael Glade

Bensheim, 23.06.15 Qualitätsmanagement

Twin Busch GmbH | Amperestr. 1 | D-64625 Bensheim

twinbusch.de | E-Mail: info@twinbusch.de | Tel.: +49 (0)6251-70585-0





Twin Busch GmbH | Amperestraße 1 | D-64625 Bensheim
Tel.: +49 (0) 6251-70585-0 | Fax: +49 (0) 6251-70585-29 | info@twinbusch.de